

## Features

- Design : SPDT Absorptive
- Ultra Wide Band
- Low Insertion Loss 1.7 dB
- Fast Switching Speed
- RoHS and REACH Compliant

## Electrical Specifications

Description	Units	Minimum	Typical	Maximum
Freq. Range	GHz	0.01		3
Input Power	W		1 (5W@5us PW)	
Insertion Loss	dB			1.7
VSWR	:1			1.5
Isolation	dB	60		
Switching speed	nsec			500
Rise / Fall time	nsec			200
DC Biasing (+5V)	mA		75	
DC Biasing (-12V)	mA		60	
Control Interface			PIN	
Control Type			TTL	
Impedance	Ohms		50	
Operating Temp.	°C	-45		+85

## Special Requirements

Phase Balance :  $\pm 1$  deg

## Note

- Electronic Specification Note : Values at 25deg , sea level. Test indicators will deteriorate at high and low temperature ;
- Switching speed is 50% TTL to 90% RF ( T- ON ) and 50% TTL to 10% RF ( T- OFF ) ;
- Rise / Fall time : 10% RF to 90% RF and 90% RF to 10% RF ;

### Mechanical Specifications

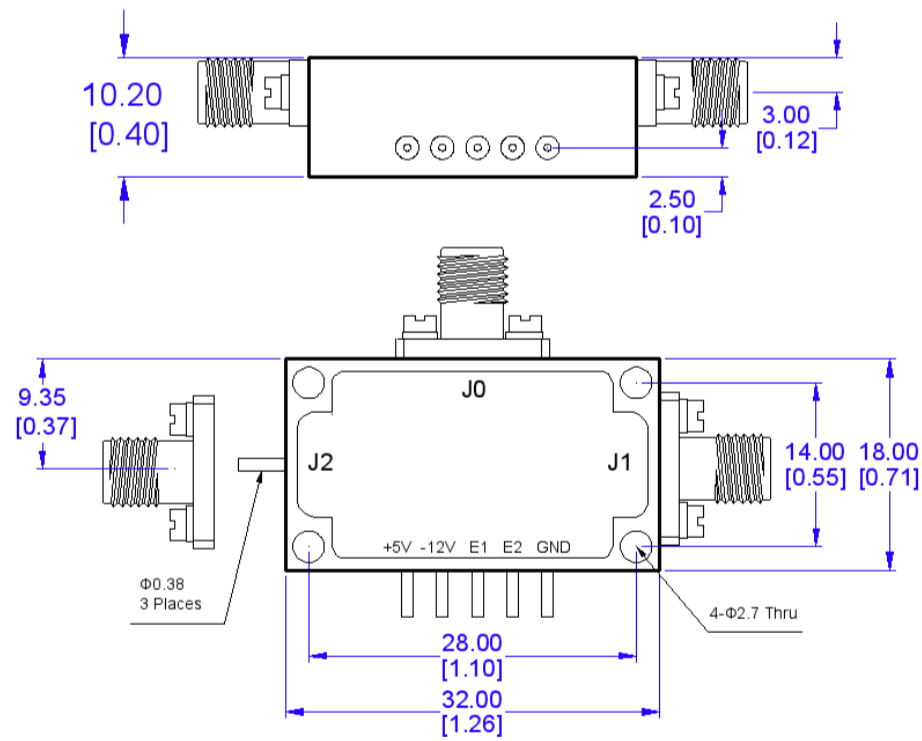
Dimension L*W*H	32*18*10.2 mm
Input Connector	SMA-Female Stainless Steel
Output Connectors	SMA-Female Stainless Steel
Weight	20 g
Finishing	Gold Plated
Environment	Nominal
RoHS / REACH Compliant	✓

### Truth Table

Control Input TTL	Signal Path State
E1 or TTL	
0	J0-J1
1	J0-J2

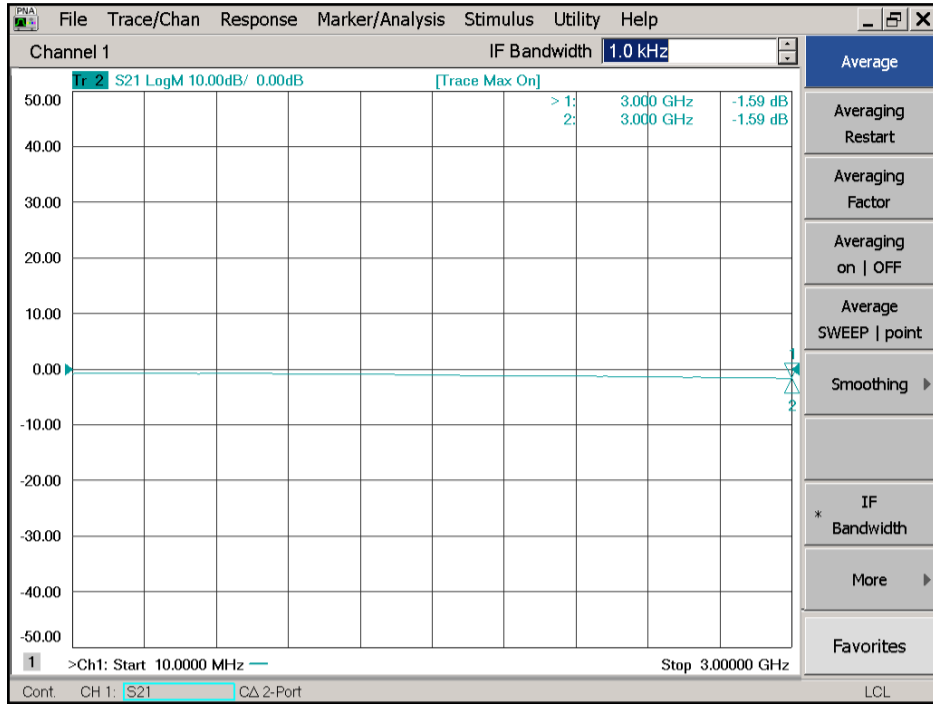
- TTL Control Voltage : High ( 1 ) : 2.8 to 5V
- TTL Control Voltage : Low ( 0 ) : 0 to 0.8V
- Low Power cold Switching

### CAD Drawing

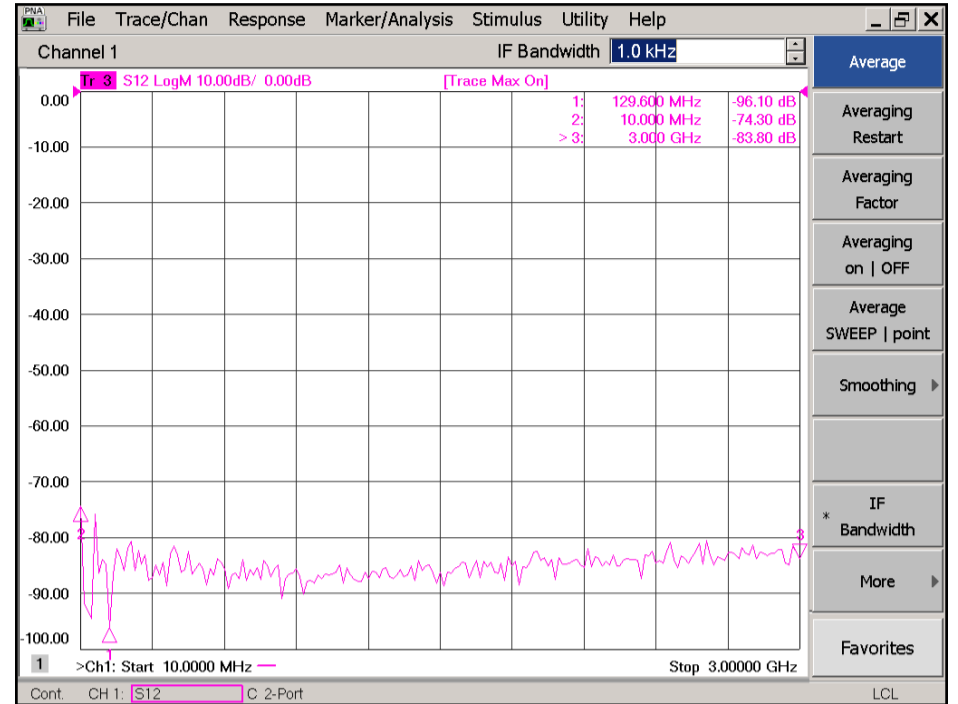


Dimensions are in mm [Inches]  
Tolerances : Outline drawing: ±0.2 [0.008]  
Hole: ±0.2 [0.008]

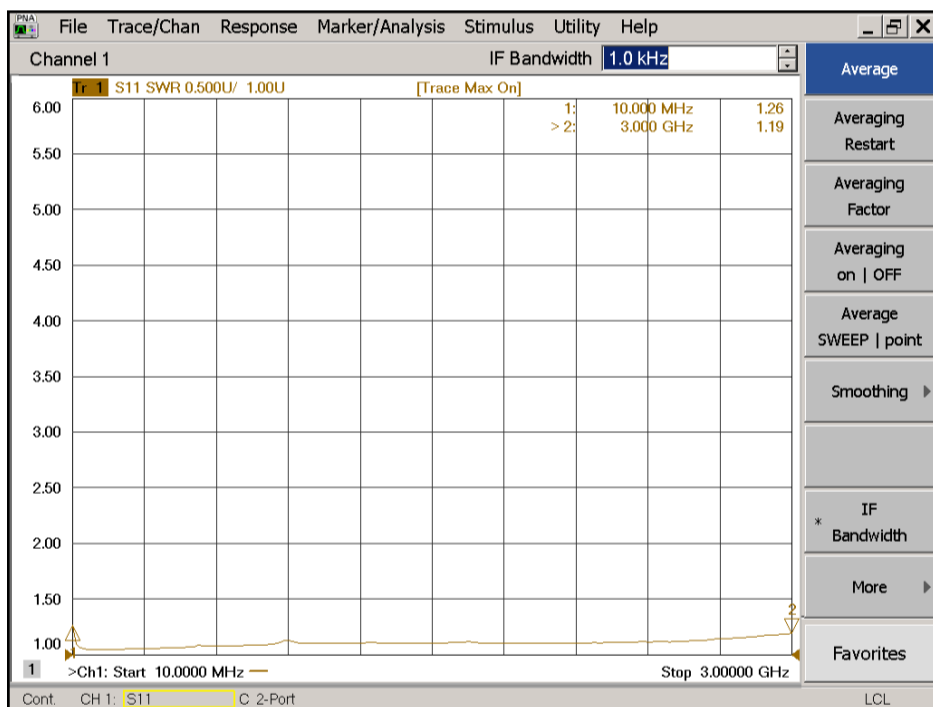
## J0 - J1



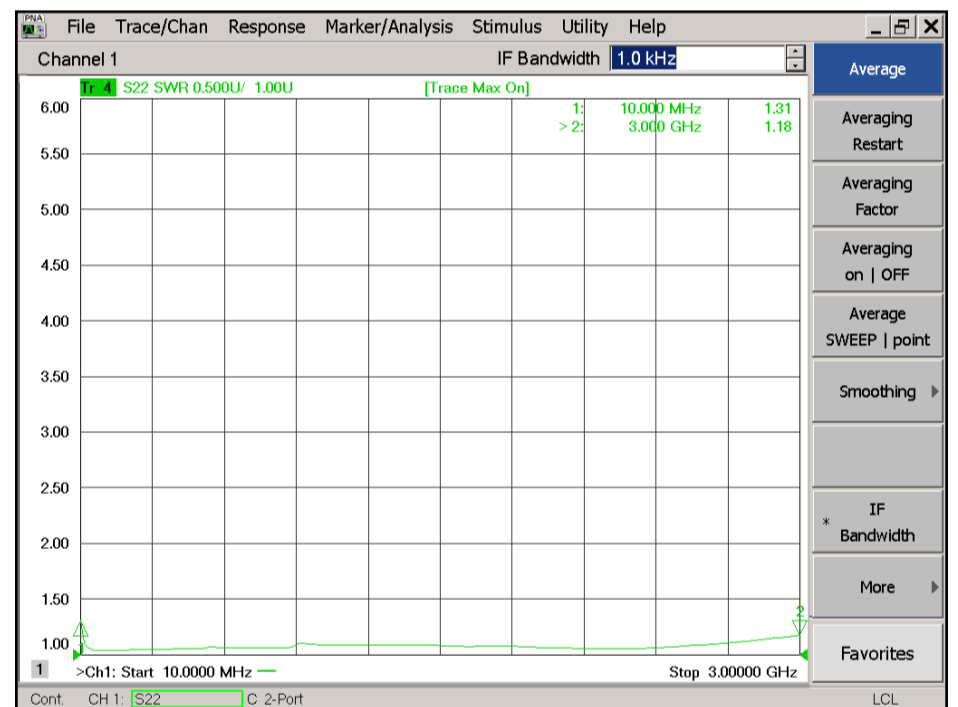
## J1 Isolation



## J0 - J2



## J2 Isolation



## Turn On Switching Speed

## Turn Off Switching Speed