

## Features

- Design : SP4T Absorptive
- Ultra Wide Band
- Low Insertion Loss 6 dB
- Fast Switching Speed
- RoHS and REACH Compliant

## Electrical Specifications

Description	Units	Minimum	Typical	Maximum
Freq. Range	GHz	10		40
Input Power	W		0.2	
Insertion Loss	dB		5	6
VSWR	:1		1.5	2
Isolation	dB	65	70	
Switching speed	nsec			100
Rise / Fall time	nsec			
DC Biasing (+5V)	mA		200	
DC Biasing (-5V)	mA		50	
Control Interface			PIN	
Control Type			TTL	
Impedance	Ohms		50	
Operating Temp.	°C	-45		+85

## Special Requirements

## Note

- Electronic Specification Note : Values at 25deg , sea level. Test indicators will deteriorate at high and low temperature ;
- Switching speed is 50% TTL to 90% RF ( T- ON ) and 50% TTL to 10% RF ( T- OFF) ;
- Rise / Fall time : 10% RF to 90% RF and 90% RF to 10% RF ;

**Mechanical Specifications**

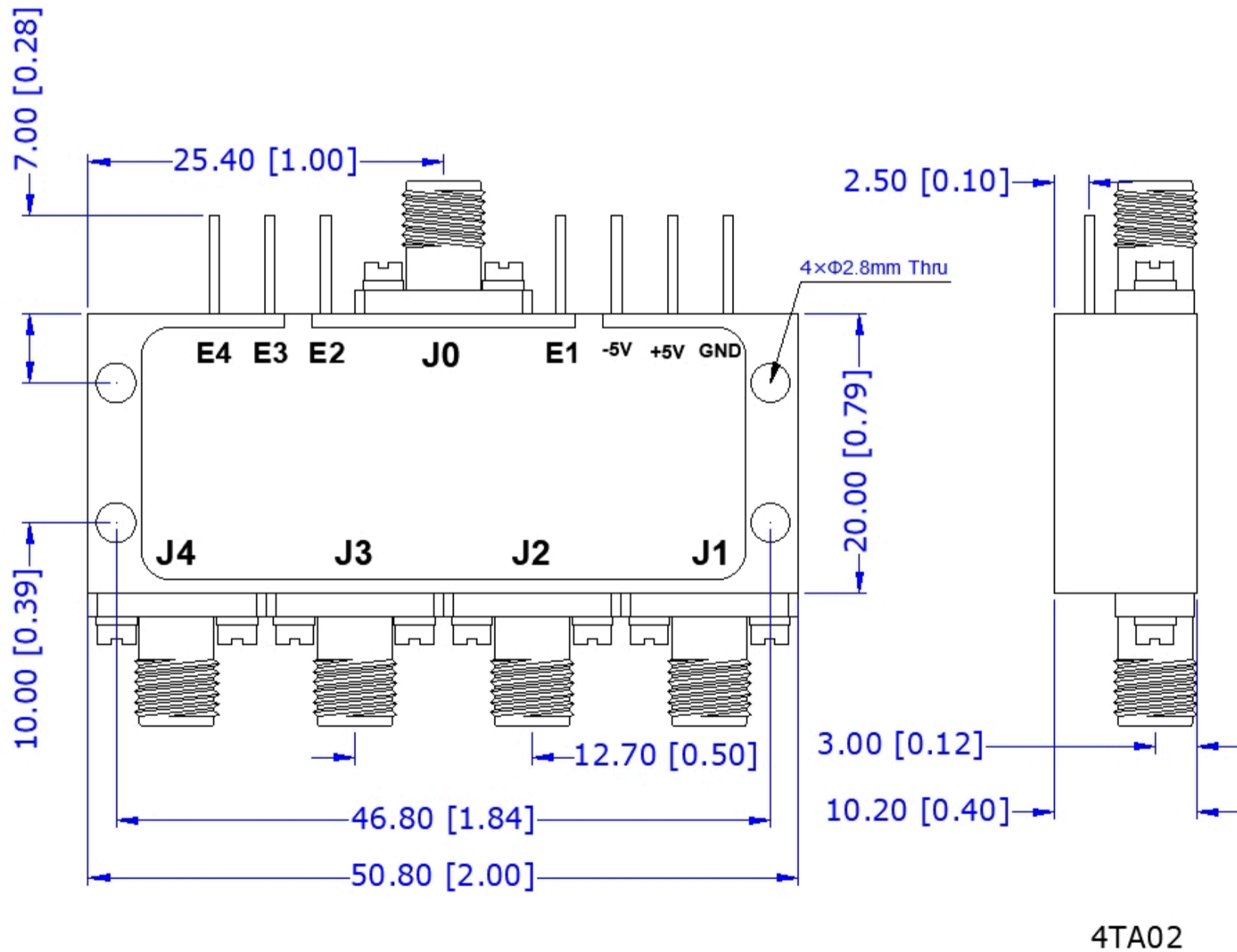
Dimension L*W*H	50.8*20*10.2 mm
Input Connector	2.92mm-Female Stainless Steel
Output Connectors	2.92mm-Female Stainless Steel
Weight	26 g
Finishing	Nickel Plated
Environment	Nominal
RoHS / REACH Compliant	✓

**Truth Table**

Control Input TTL				Signal PathState
E4	E3	E2	E1	
1	1	1	0	J0-J1
1	1	0	1	J0-J2
1	0	1	1	J0-J3
0	1	1	1	J0-J4

- TTL Control Voltage : High ( 1 ) : 2.8 to 5V
- TTL Control Voltage : Low ( 0 ) : 0 to 0.8V
- Low Power cold Switching

**CAD Drawing**



Dimensions are in mm [Inches]  
 Tolerances : Outline drawing: ±0.2 [0.008]  
 Hole: ±0.008