

Features

- Design : Suspended Stripline
- Stainless Steel Connectors
- Low Insertion Loss 2.0 dB
- High Rejection
- RoHS and REACH Compliant

Electrical Specifications

| Description | Units | Minimum | Typical | Maximum |
|-----------------------|-------|-------------|---------|---------|
| Freq. Range | GHz | DC | | 19 |
| Bandwidth@-1dB | MHz | | 19000 | |
| Insertion Loss | dB | | | 2.0 |
| Ripple | dB | | | 2.0 |
| Return Loss | dB | 9.54 | | |
| Group delay | ns | | | - |
| Group Delay Variation | ns | | | - |
| Phase Linearity | deg | | | - |
| Amplitude Matching | dB | | | - |
| Rejection | dB | 30@20-40GHz | | |
| Power | W | | | 10 |
| Operating Temp. | °C | -40 | | +70 |

Special Requirements

Note

- Electronic Specification Note : Values at 25deg , sea level. Test indicators will deteriorate at high and low temperature ;
- Relative Humidity 5 to 95% ;

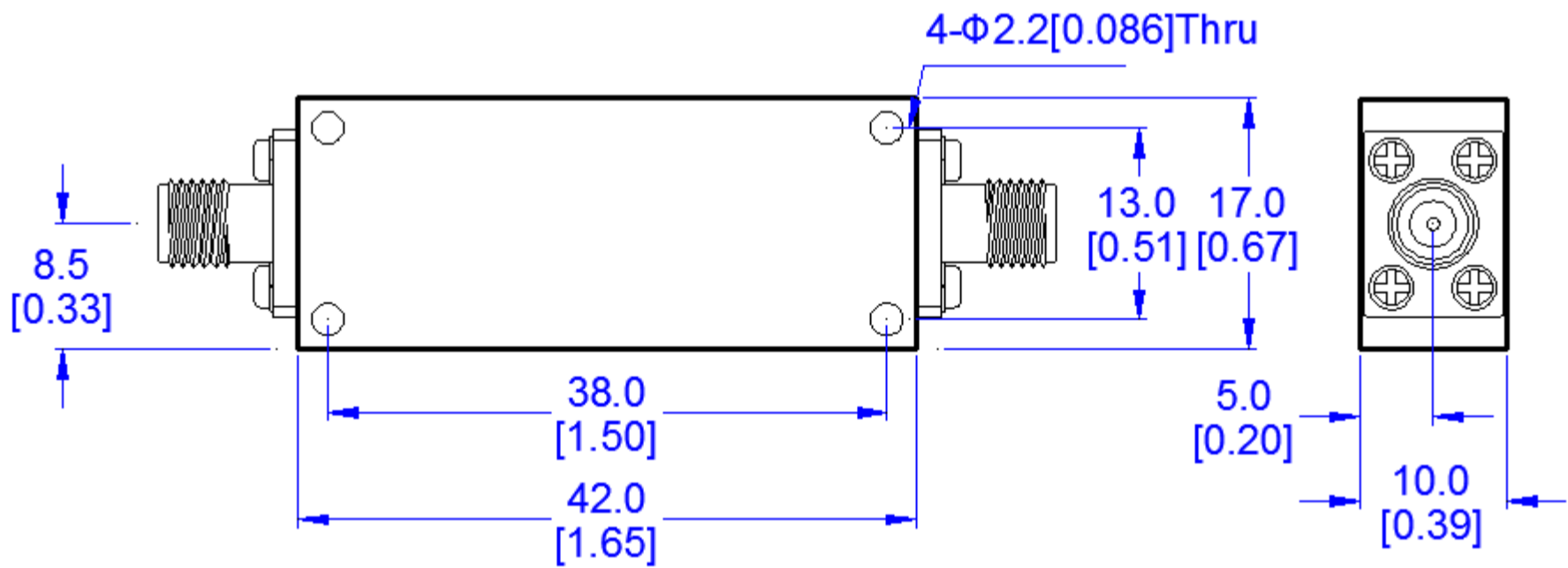
Mechanical Specifications

| | |
|-------------------|----------------------------|
| Dimension L*W*H | 42*17*10 mm |
| Input Connector | SMA-Female Stainless Steel |
| Output Connectors | SMA-Female Stainless Steel |
| Weight | TBD g |
| Finishing | Paint Black |
| Environment | X |

Compliance Certifications

| | |
|-----------------|---|
| RoHS Compliant | ✓ |
| REACH Compliant | ✓ |

CAD Drawing



Dimensions are in mm [Inches]
 Tolerances : Outline drawing: ±0.2 [0.008]
 Hole: ±0.2 [0.008]