

## Features

- Design : Suspended Stripline
- Stainless Steel Connectors
- Low Insertion Loss 1.5 dB
- High Rejection
- RoHS and REACH Compliant

## Electrical Specifications

Description	Units	Minimum	Typical	Maximum
Freq. Range	GHz	DC		18
Bandwidth	MHz		18000	
Insertion Loss	dB			1.5
Ripple	dB			-
Return Loss	dB	9.54		
Group delay	ns			-
Group Delay Variation	ns			-
Phase Linearity	deg			-
Amplitude Matching	dB			-
Rejection	dB	10@20GHz 35@21-23.5GHz 55@23.5-50GHz		
Power	W			2
Operating Temp.	°C	-40		+70

## Special Requirements

## Note

- Electronic Specification Note : Values at 25deg , sea level. Test indicators will deteriorate at high and low temperature ;
- Relative Humidity 5 to 95% ;

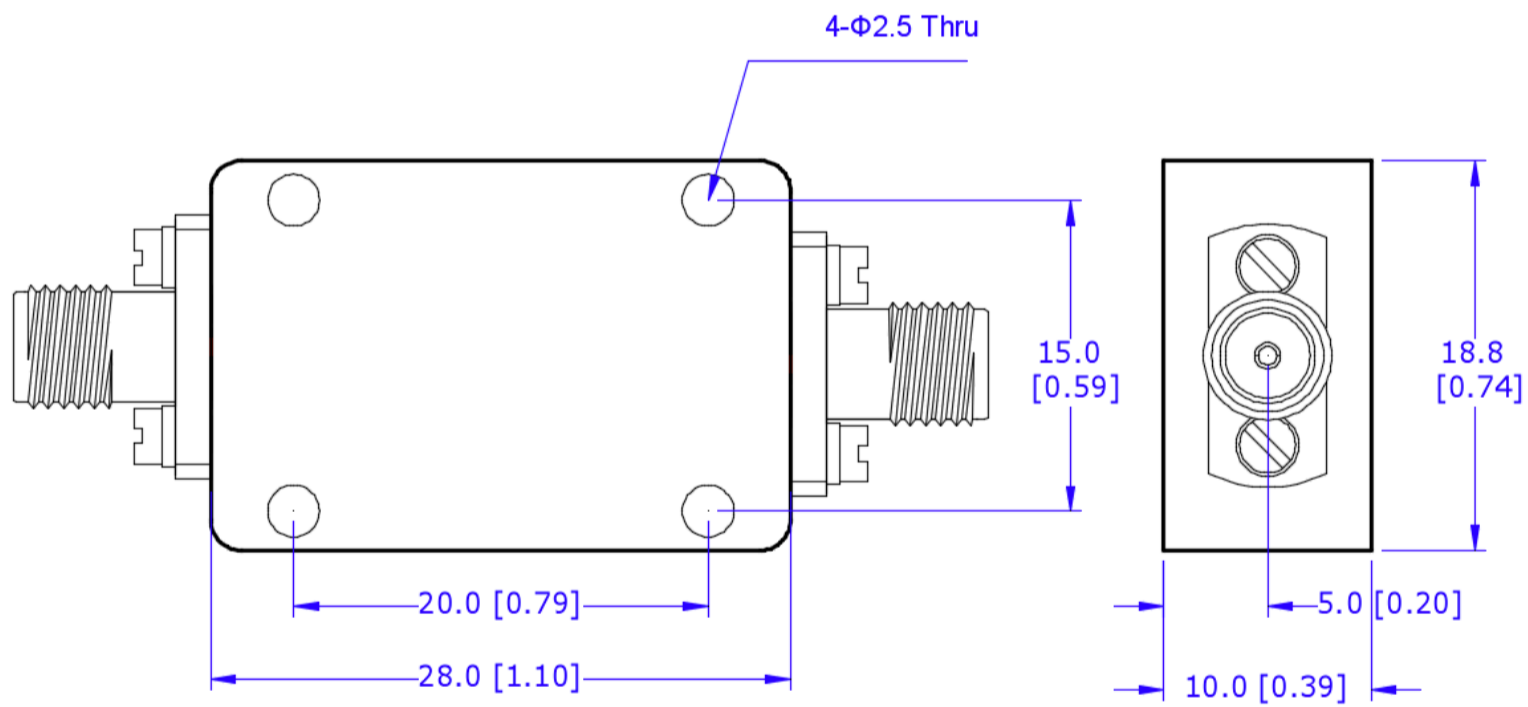
**Mechanical Specifications**

Dimension L*W*H	28*18.8*10 mm
Input Connector	SMA-Female Stainless Steel
Output Connectors	SMA-Female Stainless Steel
Weight	TBD g
Finishing	Paint Black
Environment	X

**Compliance Certifications**

RoHS Compliant	✓
REACH Compliant	✓

**CAD Drawing**



Dimensions are in mm [Inches]  
 Tolerances : Outline drawing: ±0.2 [0.008]  
 Hole: ±0.2 [0.008]