

## Features

- Design : Suspended Stripline
- Stainless Steel Connectors
- Low Insertion Loss 2,0 dB
- High Rejection
- RoHS and REACH Compliant

## Electrical Specifications

Description	Units	Minimum	Typical	Maximum
Freq. Range	GHz	DC		9.5
Bandwidth	MHz		9500	
Insertion Loss	dB			2,0
Ripple	dB			
Return Loss	dB	9.5	14	
Group delay	ns			-
Group Delay Variation	ns			-
Phase Linearity	deg			-
Amplitude Matching	dB			-
Rejection	dB	10@10.5-27.5GHz		
Power	W			10
Operating Temp.	°C	-40		+85

## Special Requirements

## Note

- Electronic Specification Note : Values at 25deg , sea level. Test indicators will deteriorate at high and low temperature ;
- Relative Humidity 5 to 95% ;

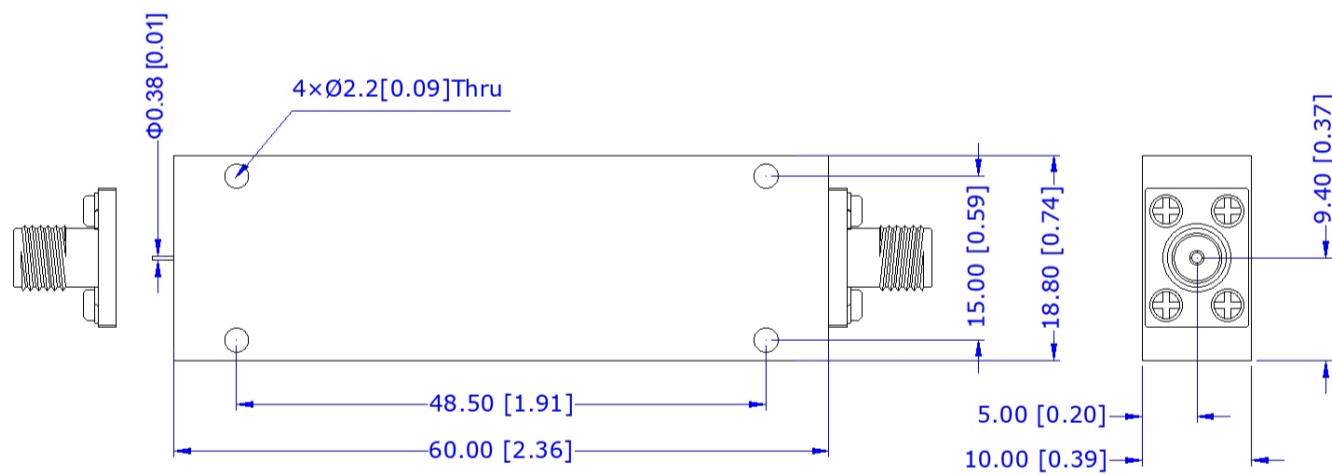
**Mechanical Specifications**

Dimension L*W*H	60*18*10 mm
Input Connector	SMA-Female Stainless Steel
Output Connectors	SMA-Female Stainless Steel
Weight	TBD g
Finishing	Paint Black
Environment	X

**Compliance Certifications**

RoHS Compliant	✓
REACH Compliant	✓

**CAD Drawing**



F00803

Dimensions are in mm [Inches]  
 Tolerances : Outline drawing: ±0.2 [0.008]  
 Hole: ±0.2 [0.008]