

Features

- Design : LC
- Copper (Cu) Connectors
- Low Insertion Loss 1.5 dB
- High Rejection
- RoHS and REACH Compliant

Electrical Specifications

Description	Units	Minimum	Typical	Maximum
Freq. Range	GHz	DC		1.4
Bandwidth@-1dB	MHz		1400	
Insertion Loss	dB			1.5
Ripple	dB			-
Return Loss	dB	14		
Group delay	ns			-
Group Delay Variation	ns			-
Phase Linearity	deg			-
Amplitude Matching	dB			-
Rejection	dB	35@1.6GHz		
Power	W			1
Operating Temp.	°C	-40		+70

Special Requirements

Note

- Electronic Specification Note : Values at 25deg , sea level. Test indicators will deteriorate at high and low temperature ;
- Relative Humidity 5 to 95% ;

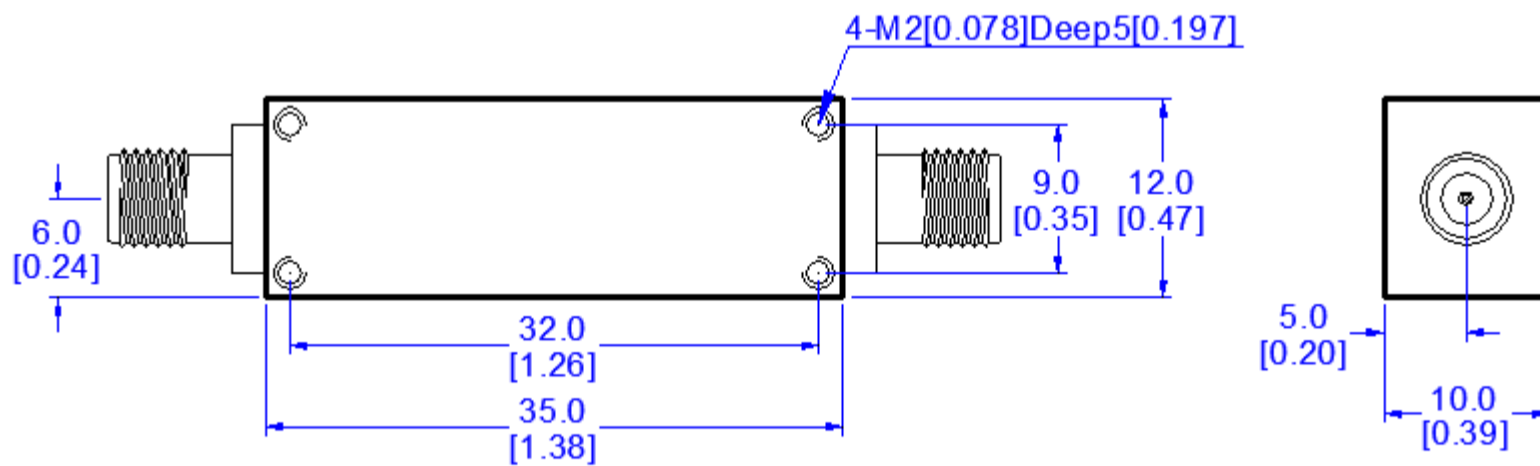
Mechanical Specifications

Dimension L*W*H	35*12*10 mm
Input Connector	SMA-Female Copper (Cu)
Output Connectors	SMA-Female Copper (Cu)
Weight	20 g
Finishing	Paint Black
Environment	X

Compliance Certifications

RoHS Compliant	✓
REACH Compliant	✓

CAD Drawing



Dimensions are in mm [Inches]
 Tolerances : Outline drawing: ±0.2 [0.008]
 Hole: ±0.2 [0.008]