

Features

- Design : Suspended Stripline
- Stainless Steel Connectors
- Low Insertion Loss 2.5 dB
- High Rejection
- RoHS and REACH Compliant

Electrical Specifications

Description	Units	Minimum	Typical	Maximum
Freq. Range	GHz	26		40
Bandwidth@-1dB	MHz		14000	
Insertion Loss	dB			2.5
Ripple	dB			-
Return Loss	dB	9.54		
Group delay	ns			-
Group Delay Variation	ns			-
Phase Linearity	deg			-
Amplitude Matching	dB			-
Rejection	dB	60@DC-8.7GHz 50@8.7-13.5GHz 50@13.5-22GHz		
Power	W			5
Operating Temp.	°C	-45		+85

Special Requirements

Return Loss : 9.54dB min. , 11.7dB typ.

Note

- Electronic Specification Note : Values at 25deg , sea level. Test indicators will deteriorate at high and low temperature ;
- Relative Humidity 5 to 95% ;

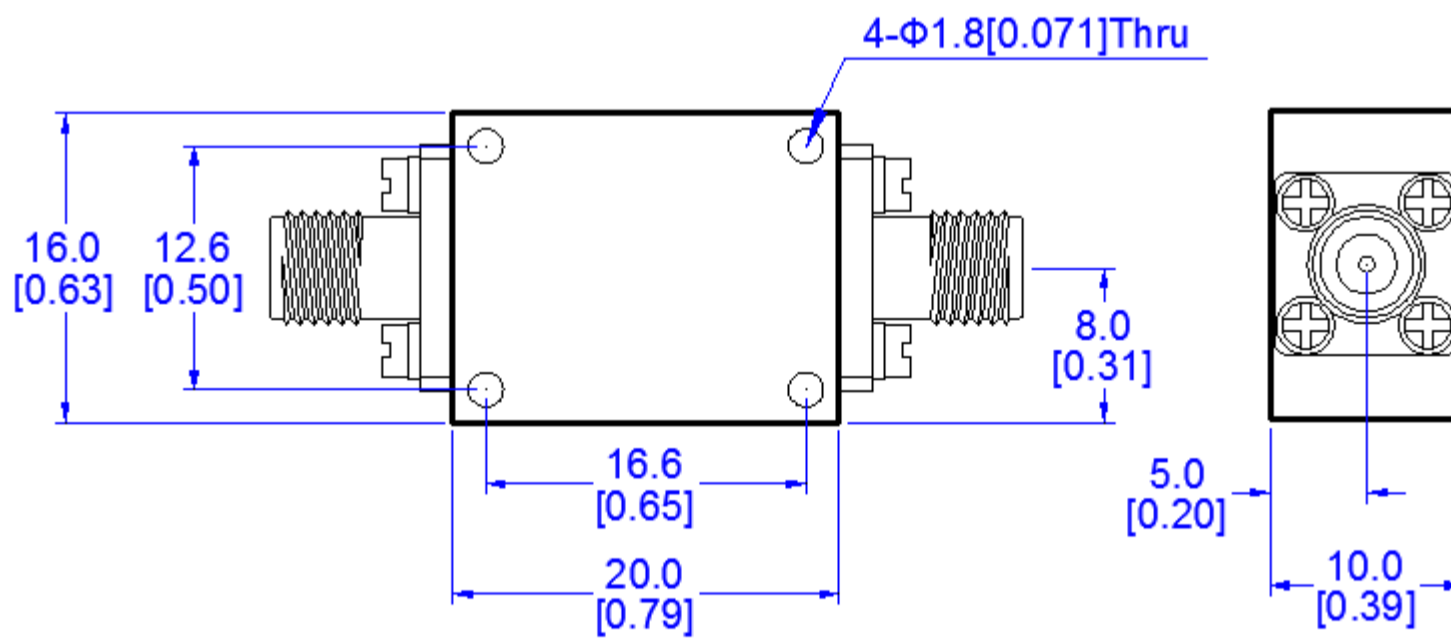
Mechanical Specifications

Dimension L*W*H	20*16*10 mm
Input Connector	2.92mm-Female Stainless Steel
Output Connectors	2.92mm-Female Stainless Steel
Weight	15 g
Finishing	Paint Black
Environment	X

Compliance Certifications

RoHS Compliant	✓
REACH Compliant	✓

CAD Drawing



Dimensions are in mm [Inches]
 Tolerances : Outline drawing: ±0.2 [0.008]
 Hole: ±0.2 [0.008]

Insertion Loss , Return Loss , Rejection and etc.

