

## Features

- Design : Suspended Stripline
- Stainless Steel Connectors
- Low Insertion Loss 1.0 dB
- High Rejection
- RoHS and REACH Compliant

## Electrical Specifications

Description	Units	Minimum	Typical	Maximum
Freq. Range	GHz	5		18
Bandwidth@1dB	MHz		13000	
Insertion Loss	dB			1.0
Ripple	dB			-
Return Loss	dB	9.5		
Group delay	ns			-
Group Delay Variation	ns			-
Phase Linearity	deg			-
Amplitude Matching	dB			-
Rejection	dB	50@DC-4.2GHz		
Power	W			10
Operating Temp.	°C	-45		+85

## Special Requirements

## Note

- Electronic Specification Note : Values at 25deg , sea level. Test indicators will deteriorate at high and low temperature ;
- Relative Humidity 5 to 95% ;

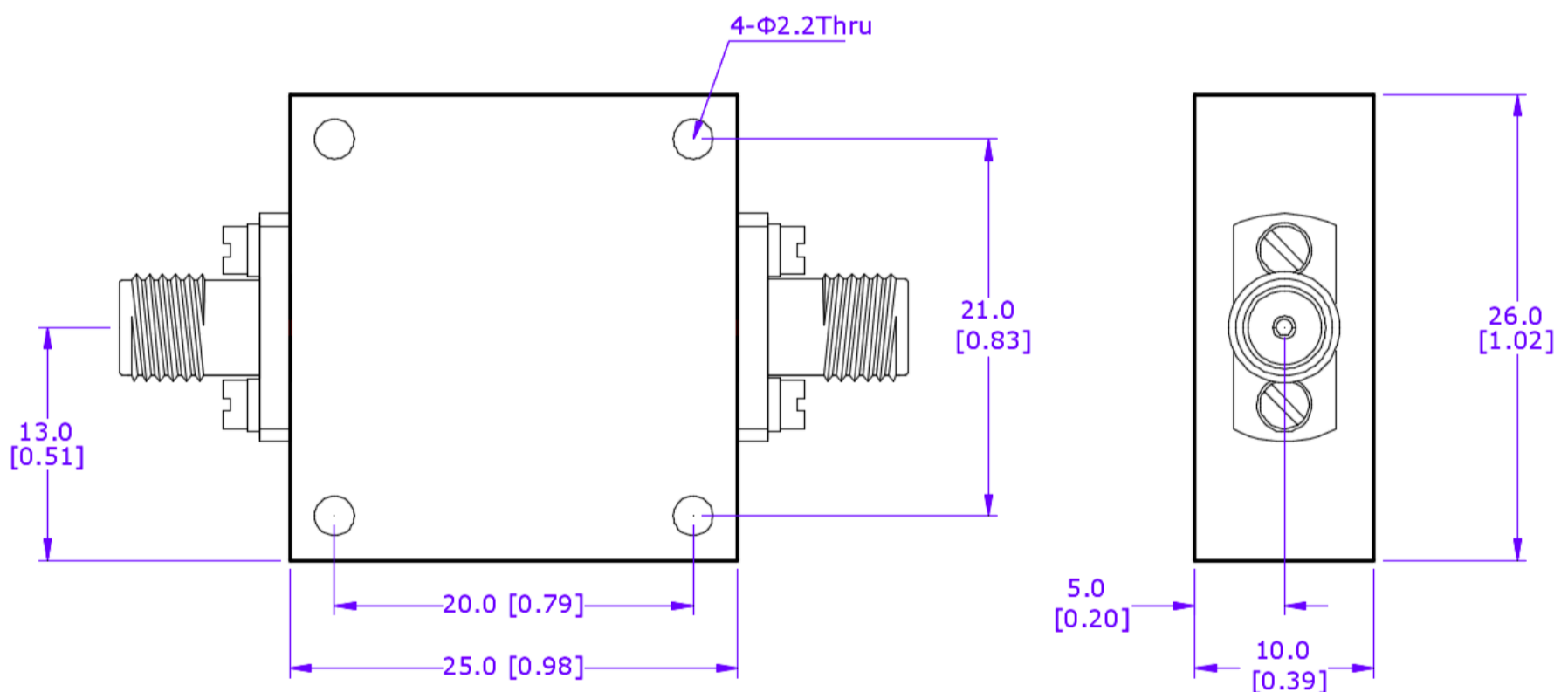
### Mechanical Specifications

Dimension L*W*H	25*26*10 mm
Input Connector	SMA-Female Stainless Steel
Output Connectors	SMA-Female Stainless Steel
Weight	TBD g
Finishing	Paint Black
Environment	X

### Compliance Certifications

RoHS Compliant	✓
REACH Compliant	✓

### CAD Drawing



Dimensions are in mm [Inches]  
 Tolerances : Outline drawing: ±0.2 [0.008]  
 Hole: ±0.2 [0.008]