

Features

- Design : Cavity
- Stainless Steel Connectors
- Low Insertion Loss 2.0 dB
- High Rejection
- RoHS and REACH Compliant

Electrical Specifications

Description	Units	Minimum	Typical	Maximum
Freq. Range	GHz	18	30	42
Bandwidth	MHz		24000	
Insertion Loss	dB			2.0
Ripple	dB			-
Return Loss	dB	9.5		
Group delay	ns			-
Group Delay Variation	ns			
Phase Linearity	deg			-
Amplitude Matching	dB			-
Rejection	dB	40@DC-16.5GHz	40@44-46GHz	
Power	W			5
Operating Temp.	°C	-40		+70

Special Requirements

Note

- Electronic Specification Note : Values at 25deg , sea level. Test indicators will deteriorate at high and low temperature ;
- Relative Humidity 5 to 95% at +25°C ;

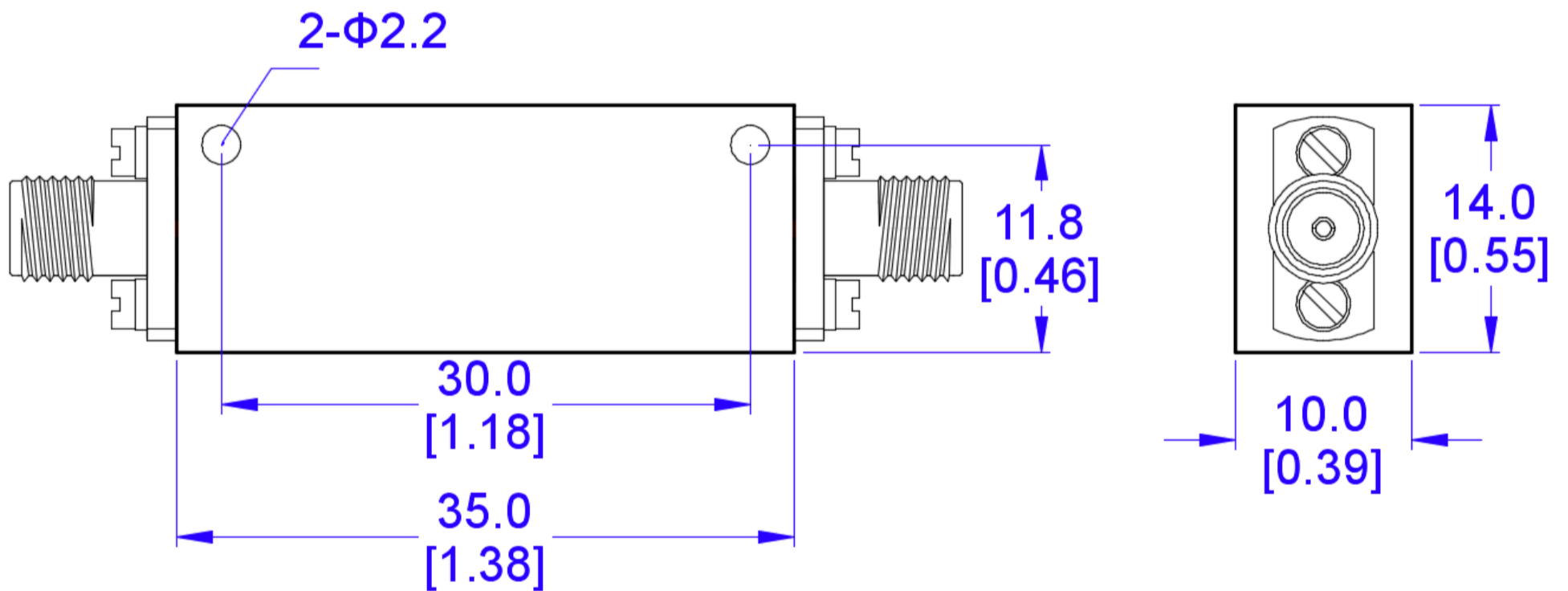
Mechanical Specifications

Dimension L*W*H	35*14*10 mm
Input Connector	2.92mm-Female Stainless Steel
Output Connectors	2.92mm-Female Stainless Steel
Weight	TBD g
Finishing	Paint Black
Environment	X

Compliance Certifications

RoHS Compliant	✓
REACH Compliant	✓

CAD Drawing



Dimensions are in mm [Inches]
 Tolerances : Outline drawing: ±0.2 [0.008]
 Hole: ±0.2 [0.008]