

## Features

- Design : Cavity
- Connectors
- Low Insertion Loss 2.75 dB
- High Rejection
- RoHS and REACH Compliant

## Electrical Specifications

Description	Units	Minimum	Typical	Maximum
Freq. Range	GHz	18	30	42
Bandwidth	MHz		24000	
Insertion Loss	dB			2.75
Ripple	dB			-
Return Loss	dB	8.5		
Group delay	ns			-
Group Delay Variation	ns			
Phase Linearity	deg			-
Amplitude Matching	dB			-
Rejection	dB	60@DC-15GHz 50@15-16GHz 30@16-17GHz 5@43-44GHz ; 35@44-45GHz ; 55@45-46GHz		
Power	W			5
Operating Temp.	°C			

## Special Requirements

## Note

- Electronic Specification Note : Values at 25deg , sea level. Test indicators will deteriorate at high and low temperature ;
- Relative Humidity 5 to 95% at +25°C ;

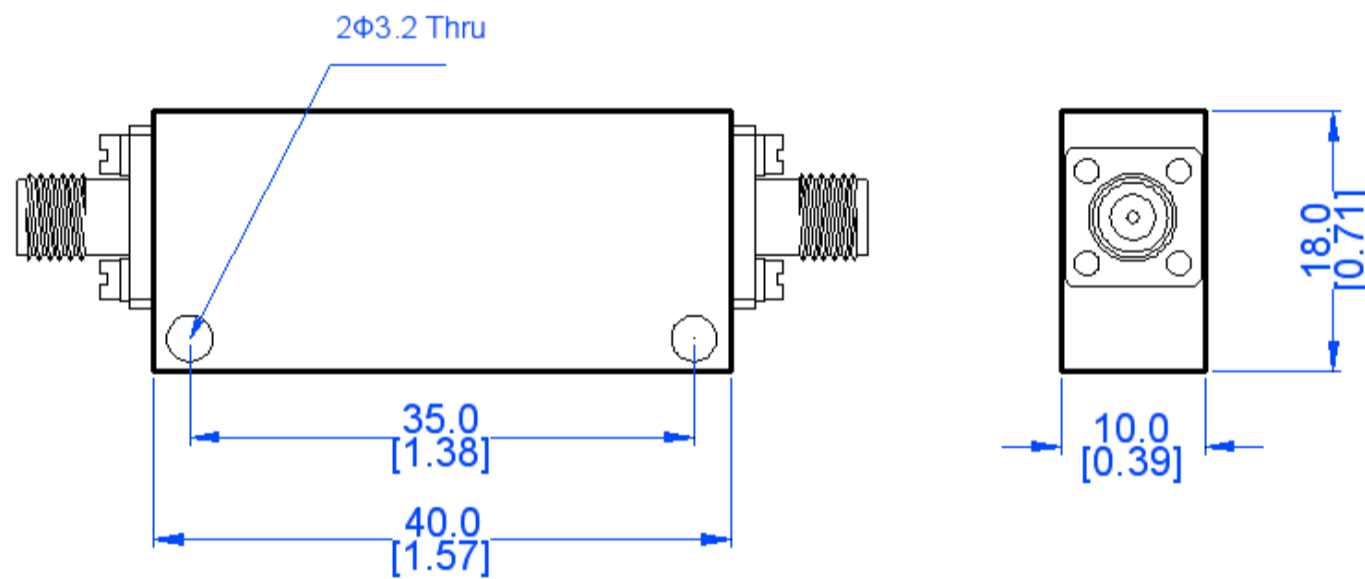
**Mechanical Specifications**

Dimension L*W*H	40*18*10 mm
Input Connector	2.92mm-Female
Output Connectors	2.92mm-Female
Weight	TBD g
Finishing	
Environment	X

**Compliance Certifications**

RoHS Compliant	✓
REACH Compliant	✓

**CAD Drawing**



Dimensions are in mm [Inches]  
 Tolerances : Outline drawing: ±0.2 [0.008]  
 Hole: ±0.2 [0.008]