

Features

- Design : Cavity
- Stainless Steel Connectors
- Low Insertion Loss 1.2 dB
- High Rejection
- RoHS and REACH Compliant

Electrical Specifications

Description	Units	Minimum	Typical	Maximum
Freq. Range	GHz	4.4	4.5	4.6
Bandwidth	MHz		200	
Insertion Loss	dB			1.2
Ripple	dB			
Return Loss	dB	14		
Group delay	ns			-
Group Delay Variation	ns			-
Phase Linearity	deg			-
Amplitude Matching	dB			-
Rejection	dB	70@4GHz 70@4.8GHz		
Power	W			80
Operating Temp.	°C	-40		+70

Special Requirements

Note

- Electronic Specification Note : Values at 25deg , sea level. Test indicators will deteriorate at high and low temperature ;
- Relative Humidity 5 to 95% at +25°C ;

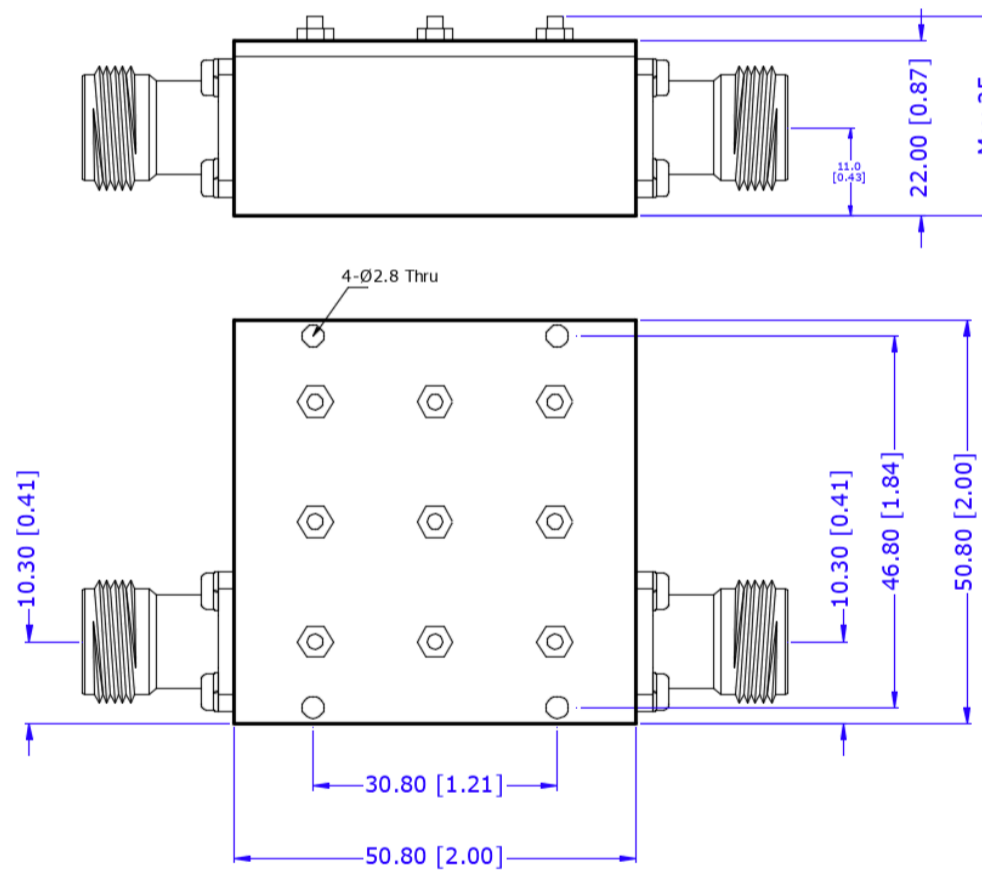
Mechanical Specifications

Dimension L*W*H	50.8*50.8*22 mm
Input Connector	N-Female Stainless Steel
Output Connectors	N-Female Stainless Steel
Weight	TBD g
Finishing	Paint Black
Environment	X

Compliance Certifications

RoHS Compliant	✓
REACH Compliant	✓

CAD Drawing



F00680

Dimensions are in mm [Inches]
 Tolerances : Outline drawing: ±0.2 [0.008]
 Hole: ±0.2 [0.008]