

Features

- Design : Cavity
- Stainless Steel Connectors
- Low Insertion Loss 0.35@3.7GHz dB
- High Rejection
- RoHS and REACH Compliant

Electrical Specifications

Description	Units	Minimum	Typical	Maximum
Freq. Range	GHz	3.5	3.7	3.9
Bandwidth@3dB	MHz		400	
Insertion Loss	dB		0.30@3.7GHz	0.35@3.7GHz
Ripple	dB			1.0
Return Loss	dB	14		
Group delay	ns			-
Group Delay Variation	ns			-
Phase Linearity	deg			-
Amplitude Matching	dB			-
Rejection	dB	40.5dB@3GHz	40.5dB@4.4GHz	
Power	W			5
Operating Temp.	°C	-40		+70

Special Requirements

Note

- Electronic Specification Note : Values at 25deg , sea level. Test indicators will deteriorate at high and low temperature ;
- Relative Humidity 5 to 95% at +25°C ;

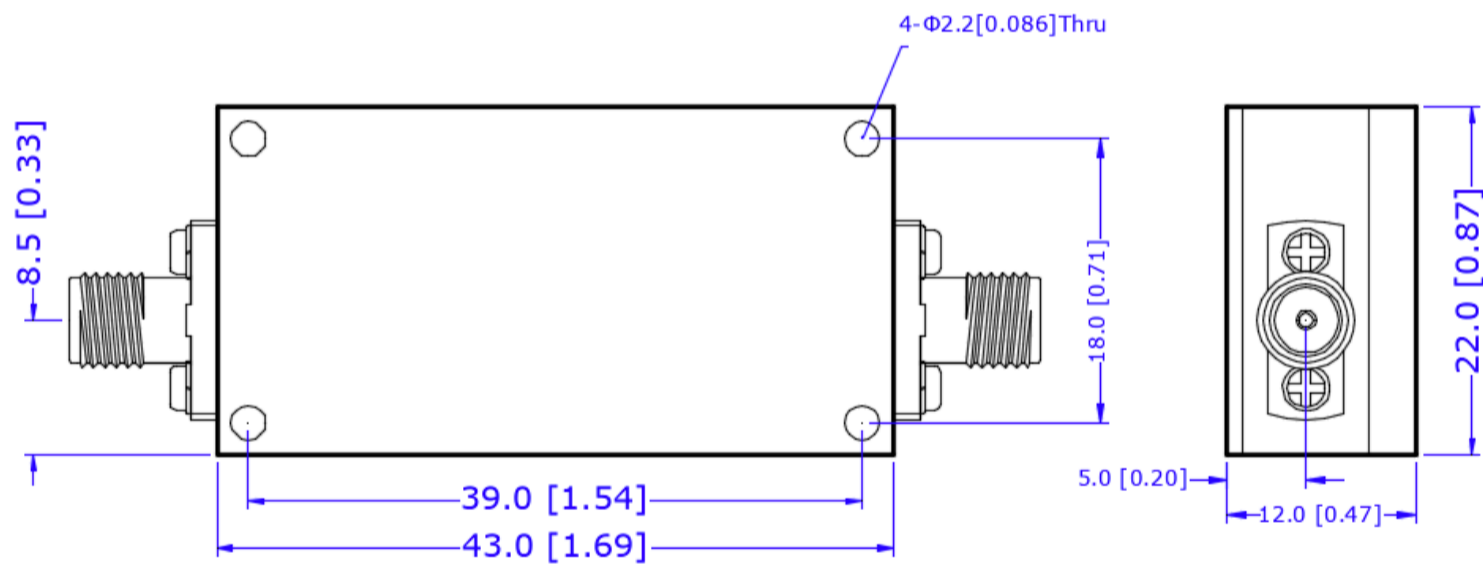
Mechanical Specifications

Dimension L*W*H	43*22*12 mm
Input Connector	SMA-Female Stainless Steel
Output Connectors	SMA-Female Stainless Steel
Weight	TBD g
Finishing	Paint Black
Environment	X

Compliance Certifications

RoHS Compliant	✓
REACH Compliant	✓

CAD Drawing



Dimensions are in mm [Inches]
Tolerances : Outline drawing: ±0.2 [0.008]
Hole: ±0.2 [0.008]