

## Features

- Design : Cavity
- Stainless Steel Connectors
- Low Insertion Loss 0.35@3.6GHz dB
- High Rejection
- RoHS and REACH Compliant

## Electrical Specifications

| Description           | Units | Minimum     | Typical     | Maximum     |
|-----------------------|-------|-------------|-------------|-------------|
| Freq. Range           | GHz   | 3.4         | 3.6         | 3.8         |
| Bandwidth@3dB         | MHz   |             | 400         |             |
| Insertion Loss        | dB    |             | 0.30@3.6GHz | 0.35@3.6GHz |
| Ripple                | dB    |             |             | 1.0         |
| Return Loss           | dB    | 14          |             |             |
| Group delay           | ns    |             |             | -           |
| Group Delay Variation | ns    |             |             | -           |
| Phase Linearity       | deg   |             |             | -           |
| Amplitude Matching    | dB    |             |             | -           |
| Rejection             | dB    | 40dB@2.9GHz | 40dB@4.4GHz |             |
| Power                 | W     |             |             | 5           |
| Operating Temp.       | °C    | -40         |             | +70         |

## Special Requirements

## Note

- Electronic Specification Note : Values at 25deg , sea level. Test indicators will deteriorate at high and low temperature ;
- Relative Humidity 5 to 95% at +25°C ;

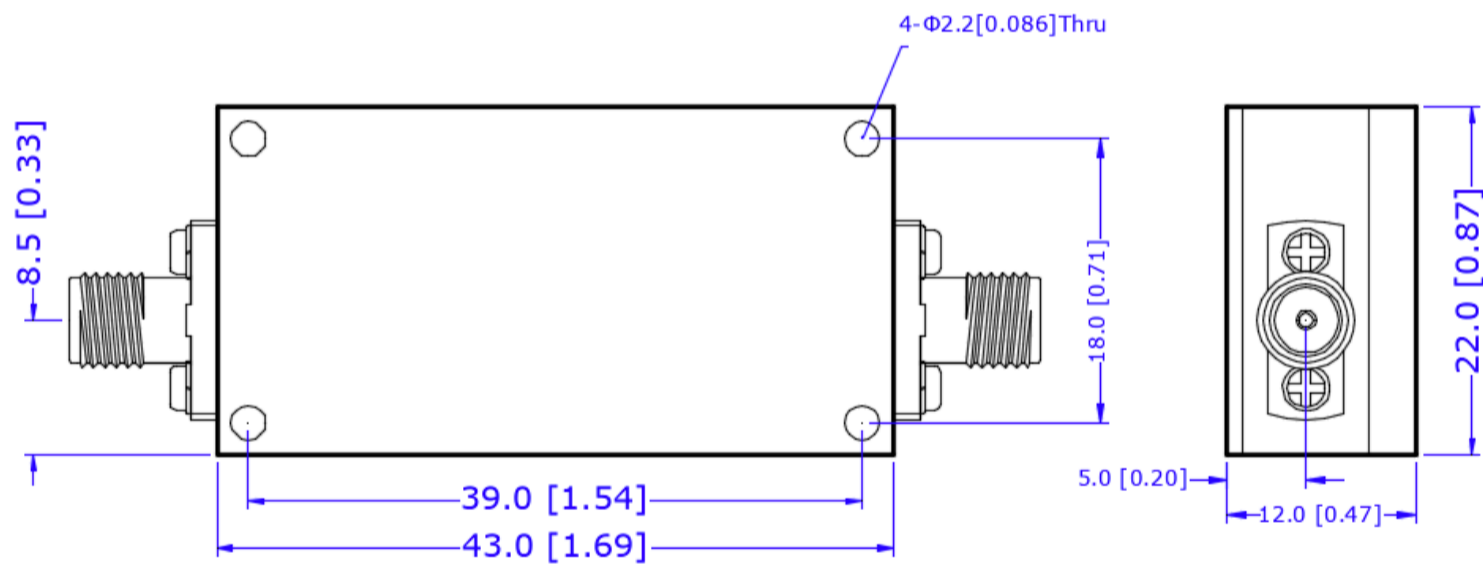
**Mechanical Specifications**

|                   |                            |
|-------------------|----------------------------|
| Dimension L*W*H   | 43*22*12 mm                |
| Input Connector   | SMA-Female Stainless Steel |
| Output Connectors | SMA-Female Stainless Steel |
| Weight            | 60 g                       |
| Finishing         | Paint Black                |
| Environment       | X                          |

**Compliance Certifications**

|                 |   |
|-----------------|---|
| RoHS Compliant  | ✓ |
| REACH Compliant | ✓ |

**CAD Drawing**



Dimensions are in mm [Inches]  
 Tolerances : Outline drawing: ±0.2 [0.008]  
 Hole: ±0.2 [0.008]

Insertion Loss , Return Loss , Rejection and etc.

