

## Features

- Design : Cavity
- Stainless Steel Connectors
- Low Insertion Loss 1.5 dB
- High Rejection
- RoHS and REACH Compliant

## Electrical Specifications

Description	Units	Minimum	Typical	Maximum	
Freq. Range	GHz	3	10.5	18	
Bandwidth	MHz		15000		
Insertion Loss	dB			1.5	
Ripple	dB			-	
Return Loss	dB	9.5			
Group delay	ns			-	
Group Delay Variation	ns				
Phase Linearity	deg			-	
Amplitude Matching	dB			-	
Rejection	dB	40@DC-2.6GHz	30@2.6-2.7GHz	40@18.8-22GHz	30@18.6-18.8GHz
Power	W			5	
Operating Temp.	°C	-40		+70	

## Special Requirements

## Note

- Electronic Specification Note : Values at 25deg , sea level. Test indicators will deteriorate at high and low temperature ;
- Relative Humidity 5 to 95% at +25°C ;

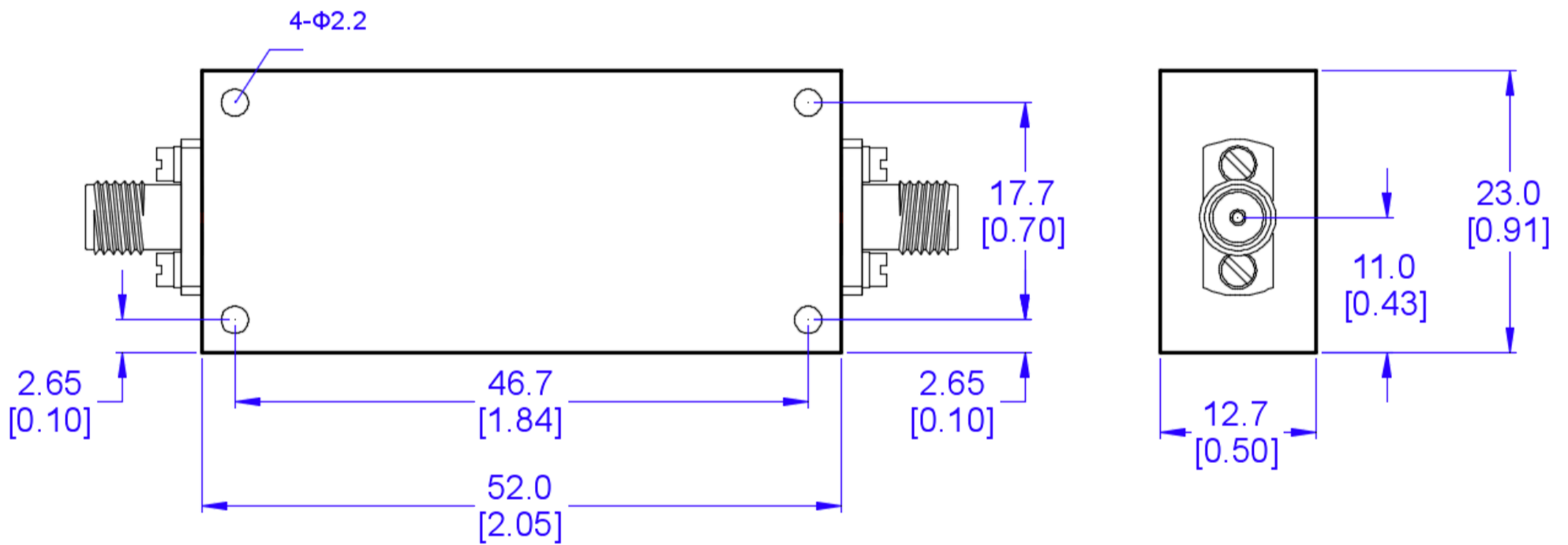
**Mechanical Specifications**

Dimension L*W*H	52*23*12.7 mm
Input Connector	SMA-Female Stainless Steel
Output Connectors	SMA-Female Stainless Steel
Weight	TBD g
Finishing	Paint Black
Environment	X

**Compliance Certifications**

RoHS Compliant	✓
REACH Compliant	✓

**CAD Drawing**



Dimensions are in mm [Inches]  
 Tolerances : Outline drawing: ±0.2 [0.008]  
 Hole: ±0.2 [0.008]