

Features

- Design : LC
- Copper (Cu) Connectors
- Low Insertion Loss 0.65@Fo dB
- High Rejection
- RoHS and REACH Compliant

Electrical Specifications

Description	Units	Minimum	Typical	Maximum
Freq. Range	GHz	1.5	2	2.5
Bandwidth@1dB	MHz		1000	
Insertion Loss	dB			0.65@Fo
Ripple	dB			1.0
Return Loss	dB	13.94		
Group delay	ns			-
Group Delay Variation	ns			-
Phase Linearity	deg			-
Amplitude Matching	dB			-
Rejection	dB	50@DC-1.3GHz	50@2.7-6GHz	10@1.4GHz 10@2.6GHz
Power	W			2
Operating Temp.	°C	-40		+70

Special Requirements

Insertional Loss : ≤ 1.65 dB @ BW

Note

- Electronic Specification Note : Values at 25deg , sea level. Test indicators will deteriorate at high and low temperature ;
- Relative Humidity 5 to 95% at +25°C ;

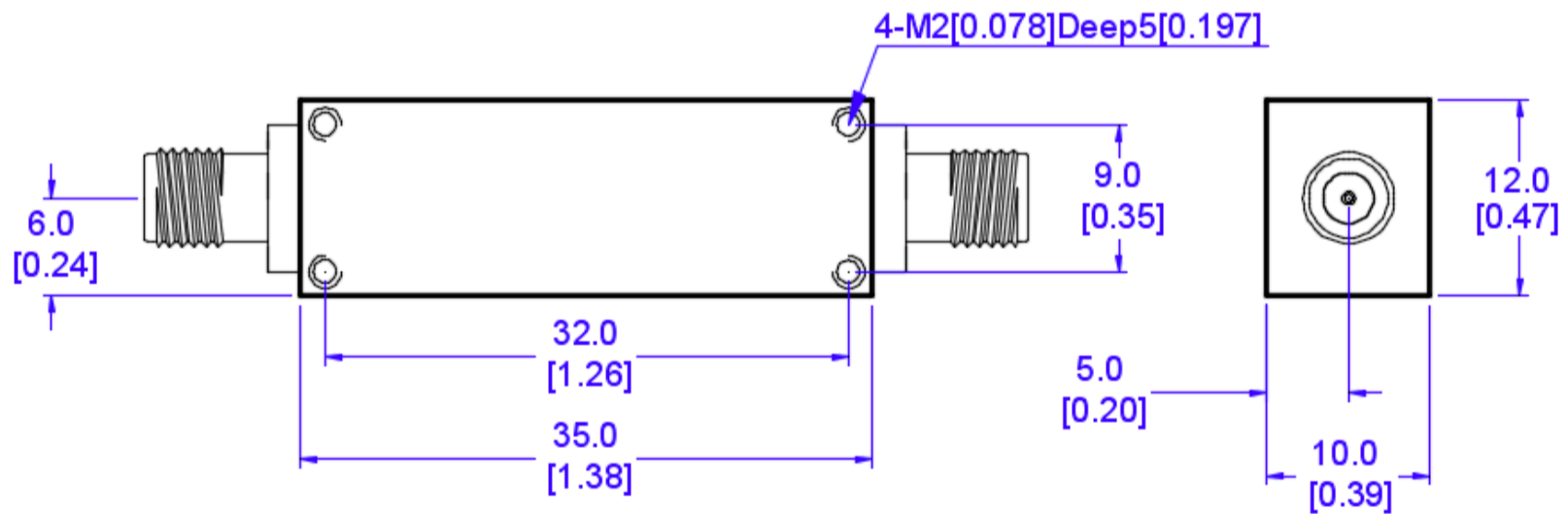
Mechanical Specifications

Dimension L*W*H	35*12*10 mm
Input Connector	SMA-Female Copper (Cu)
Output Connectors	SMA-Female Copper (Cu)
Weight	25 g
Finishing	Paint Black
Environment	X

Compliance Certifications

RoHS Compliant	✓
REACH Compliant	✓

CAD Drawing



Dimensions are in mm [Inches]
 Tolerances : Outline drawing: ±0.2 [0.008]
 Hole: ±0.2 [0.008]

Insertion Loss , Return Loss , Rejection and etc.

