

## Features

- Design : LC
- Copper (Cu) Connectors
- Low Insertion Loss 1.2@Fo dB
- High Rejection
- RoHS and REACH Compliant

## Electrical Specifications

Description	Units	Minimum	Typical	Maximum	
Freq. Range	GHz	1	1.25	1.5	
Bandwidth@0.5dB	MHz		500		
Insertion Loss	dB			1.2@Fo	
Ripple	dB			-	
Return Loss	dB	14			
Group delay	ns			-	
Group Delay Variation	ns			-	
Phase Linearity	deg			-	
Amplitude Matching	dB			-	
Rejection	dB	50@DC-800MHz	20@0.8-0.9GHz	20@1.6-1.7GHz	50@1.7-6GHz
Power	W			2	
Operating Temp.	°C	-40		+70	

## Special Requirements

## Note

- Electronic Specification Note : Values at 25deg , sea level. Test indicators will deteriorate at high and low temperature ;
- Relative Humidity 5 to 95% at +25°C ;

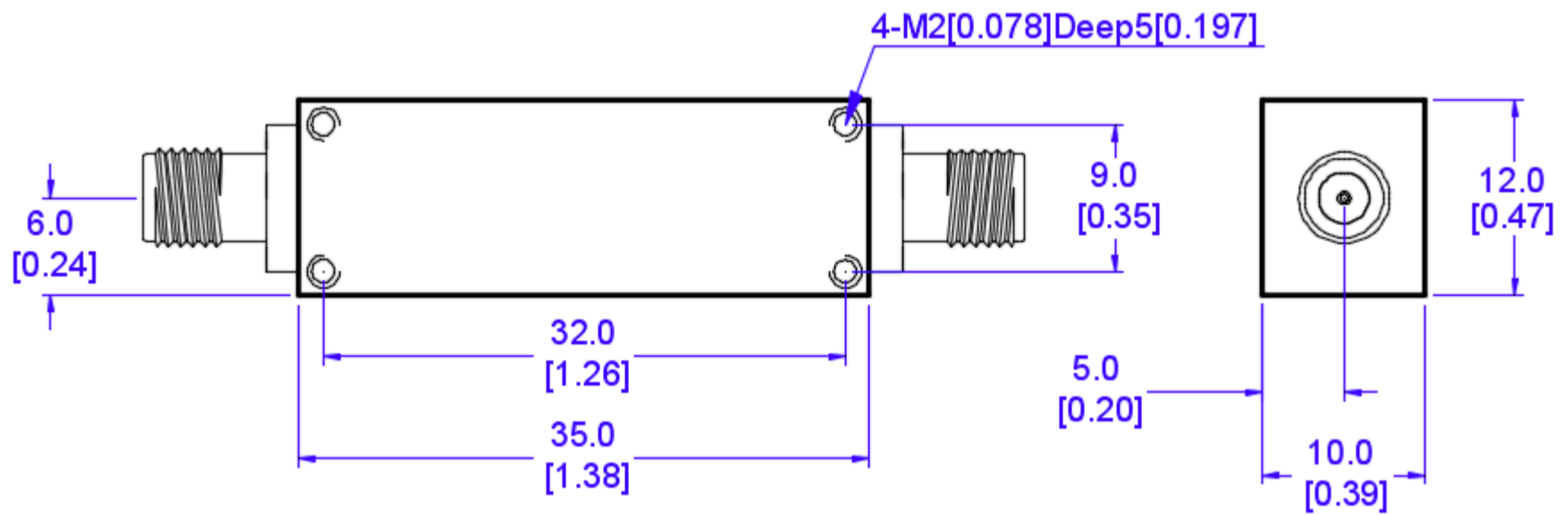
**Mechanical Specifications**

Dimension L*W*H	35*12*10 mm
Input Connector	SMA-Female Copper (Cu)
Output Connectors	SMA-Female Copper (Cu)
Weight	25 g
Finishing	Paint Black
Environment	X

**Compliance Certifications**

RoHS Compliant	✓
REACH Compliant	✓

**CAD Drawing**



Dimensions are in mm [Inches]  
 Tolerances : Outline drawing: ±0.2 [0.008]  
 Hole: ±0.2 [0.008]

Insertion Loss , Return Loss , Rejection and etc.

