

Features

- Design : Wilkinson
- Stainless Steel Connectors
- Low Insertion Loss 5.0dB
- RoHS and REACH Compliant
- High Isolation 9dB

Electrical Specifications

Description	Units	Minimum	Typical	Maximum
Freq. Range	GHz	DC		67
Nominal Splitter Loss	dB		12	
Insertion Loss	dB		4.0	5.0
Input VSWR			1.7	2.0
Output VSWR			2.2	3.0
Amplitude Balance	dB		1.0	1.2
Phase Balance	deg		14	24
Isolation	dB	9	10.5	
Forward Power	W			1
Reverse Power	W			-
Peak Power@10%, 1us	KW			10
Impedance	Ohms		50	
Operating Temp.	°C	-45		+85

Special Requirements

Note

- Electronic Specification Note : Values at 25deg , sea level. Test indicators will deteriorate at high and low temperature ;
- All output ports /power combiner in-amplitude (0dB difference) ;
- All output ports /power combiner in-phase (0° difference) ;

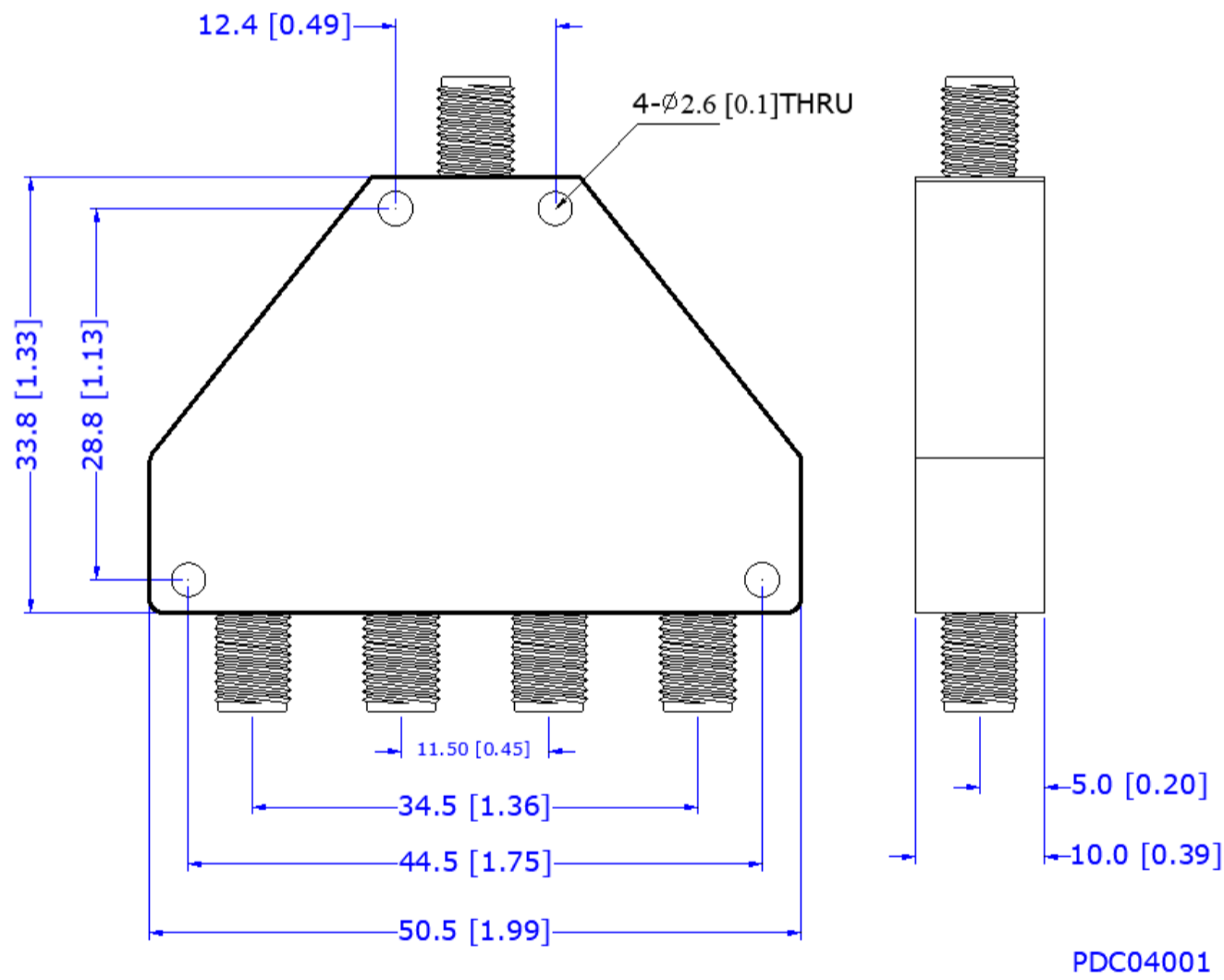
Mechanical Specifications

Dimension L*W*H	33.76*50.5*12.7 mm
Input Connector	1.85mm-Female Stainless Steel
Output Connectors	1.85mm-Female Stainless Steel
Weight	55 g
Finishing	Nickel Plated
Environment	Nominal

Compliance Certifications

RoHS Compliant	✓
REACH Compliant	✓

CAD Drawing



Dimensions are in mm [Inches]
 Tolerances : Outline drawing: ± 0.2 [0.008]
 Hole: ± 0.2 [0.008]