

## Features

- Design : Wilkinson
- Stainless Steel Connectors
- Low Insertion Loss 2.0dB
- RoHS and REACH Compliant
- High Isolation 15dB

## Electrical Specifications

Description	Units	Minimum	Typical	Maximum
Freq. Range	GHz	25		50
Nominal Splitter Loss	dB		6.0	
Insertion Loss	dB		1.5	2.0
Input VSWR				1.8
Output VSWR				1.6
Amplitude Balance	dB			1.0
Phase Balance	deg			16
Isolation	dB	15		
Forward Power	W			20
Reverse Power	W			0.5
Peak Power	KW			
Impedance	Ohms		50	
Operating Temp.	°C	-45		+85

## Special Requirements

## Note

- Electronic Specification Note : Values at 25deg , sea level. Test indicators will deteriorate at high and low temperature ;
- All output ports /power combiner in-amplitude (0dB difference) ;
- All output ports /power combiner in-phase (0° difference) ;

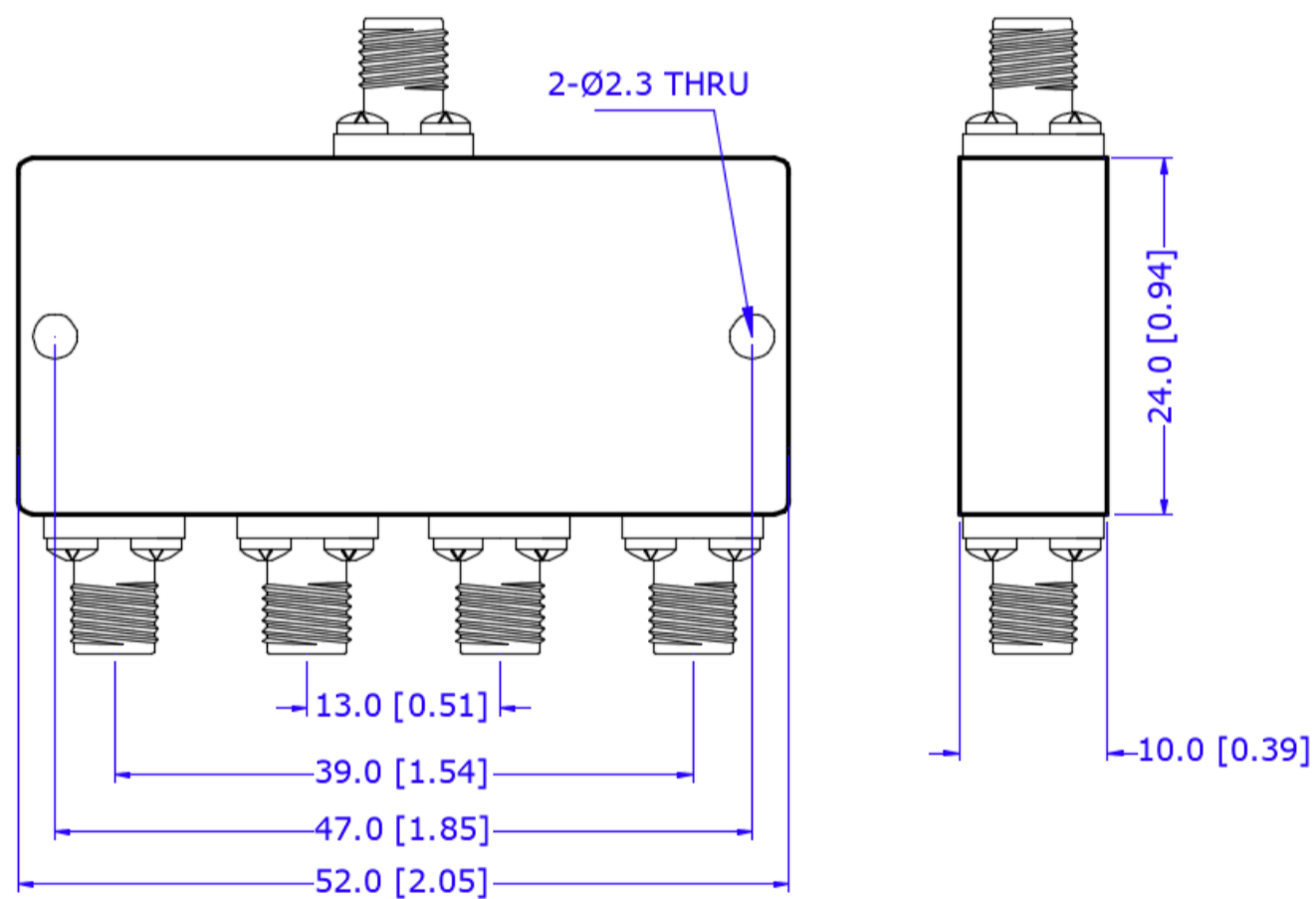
### Mechanical Specifications

Dimension L*W*H	52*24*10 mm
Input Connector	2.4mm-Female Stainless Steel
Output Connectors	2.4mm-Female Stainless Steel
Weight	TBD g
Finishing	Paint Black
Environment	Nominal

### Compliance Certifications

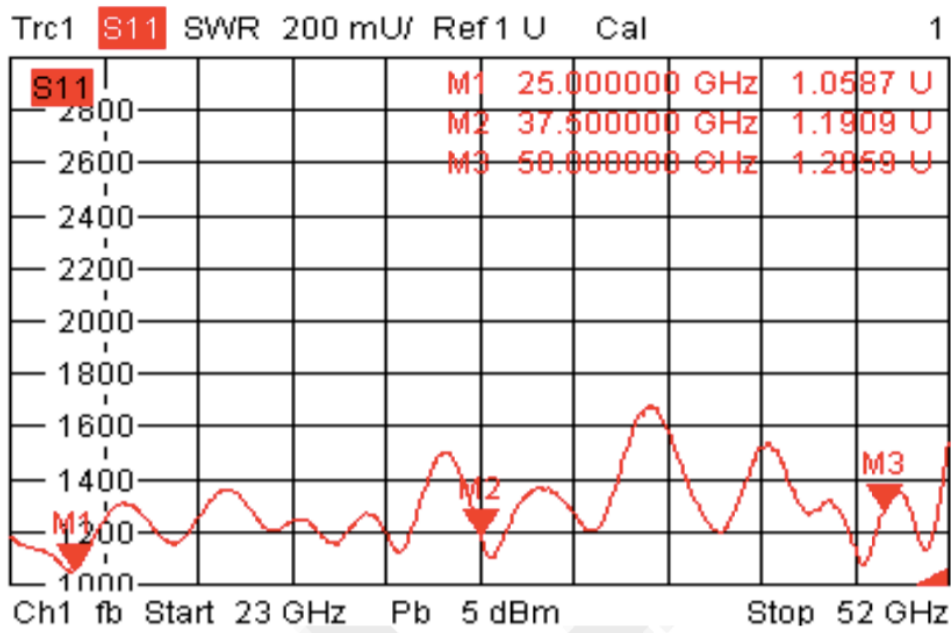
RoHS Compliant	✓
REACH Compliant	✓

### CAD Drawing

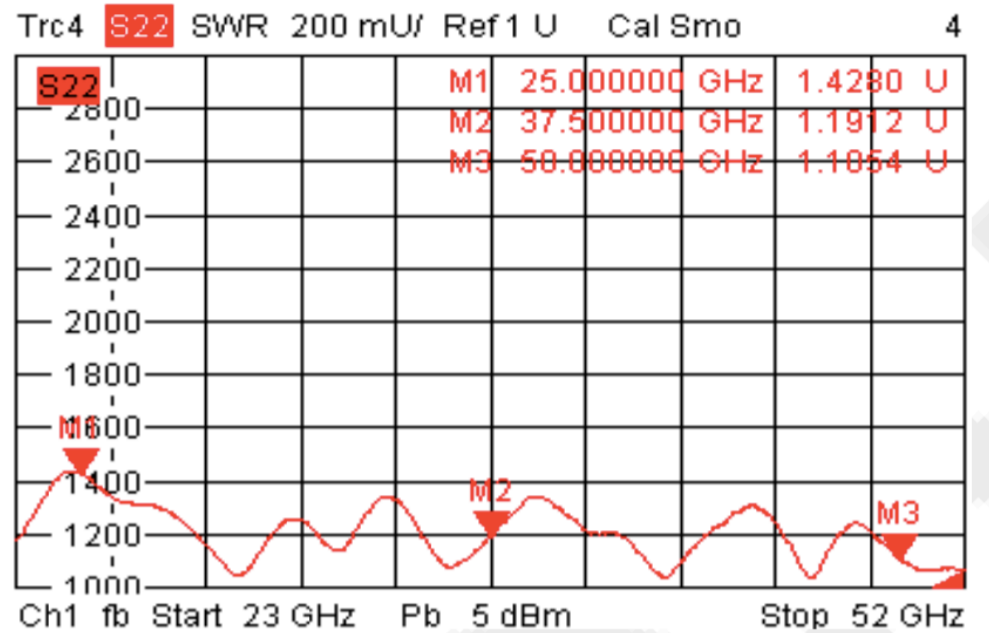


Dimensions are in mm [Inches]  
 Tolerances : Outline drawing: ±0.2 [0.008]  
 Hole: ±0.2 [0.008]

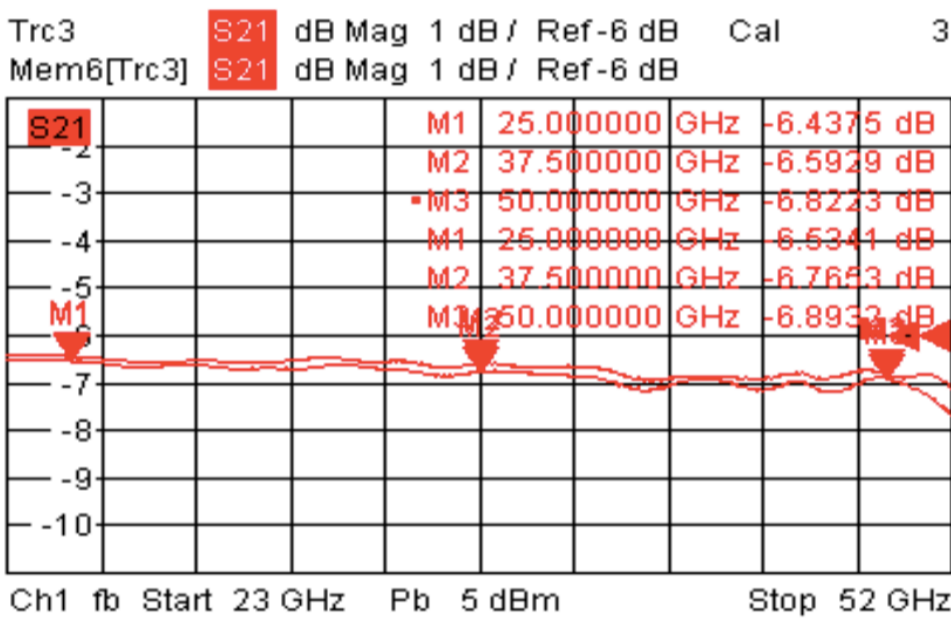
Input Port VSWR



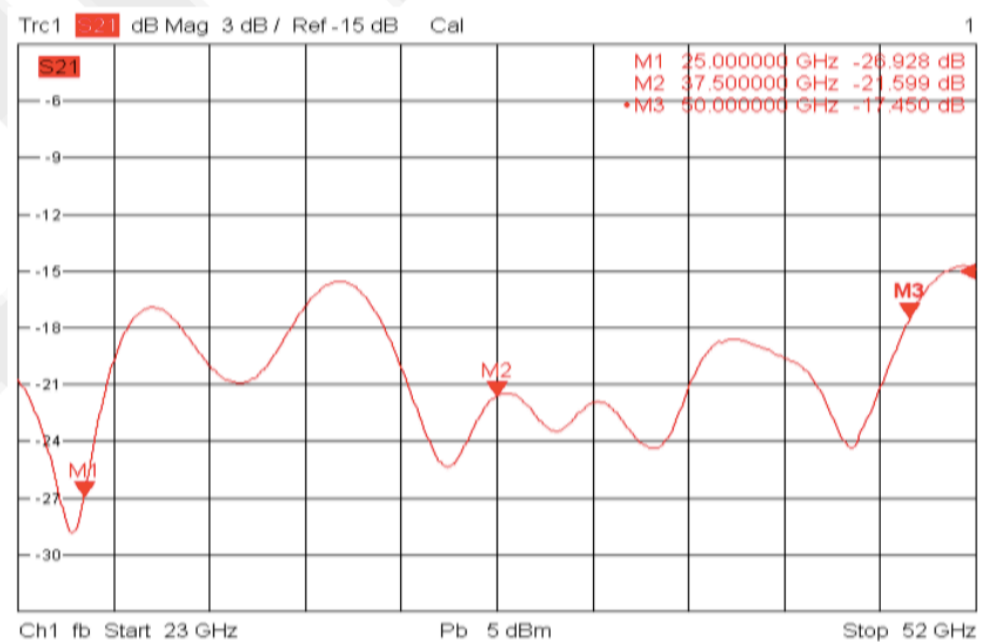
Output Port VSWR



Output Port Insertion Loss



Output Port Isolation



Amplitude Balance



Phase Balance

