

Features

- Design : Wilkinson
- Stainless Steel Connectors
- Low Insertion Loss 2.2dB
- RoHS and REACH Compliant
- High Isolation 15dB

Electrical Specifications

| Description | Units | Minimum | Typical | Maximum |
|-----------------------|-------|---------|---------|---------|
| Freq. Range | GHz | 20 | | 50 |
| Nominal Splitter Loss | dB | | 6.0 | |
| Insertion Loss | dB | | 1.8 | 2.2 |
| Input VSWR | | | | 1.9 |
| Output VSWR | | | | 1.8 |
| Amplitude Balance | dB | | | 1.0 |
| Phase Balance | deg | | | 16 |
| Isolation | dB | 15 | | |
| Forward Power | W | | | 20 |
| Reverse Power | W | | | 0.5 |
| Peak Power | KW | | | |
| Impedance | Ohms | | 50 | |
| Operating Temp. | °C | -45 | | +85 |

Special Requirements

Note

- Electronic Specification Note : Values at 25deg , sea level. Test indicators will deteriorate at high and low temperature ;
- All output ports /power combiner in-amplitude (0dB difference) ;
- All output ports /power combiner in-phase (0° difference) ;

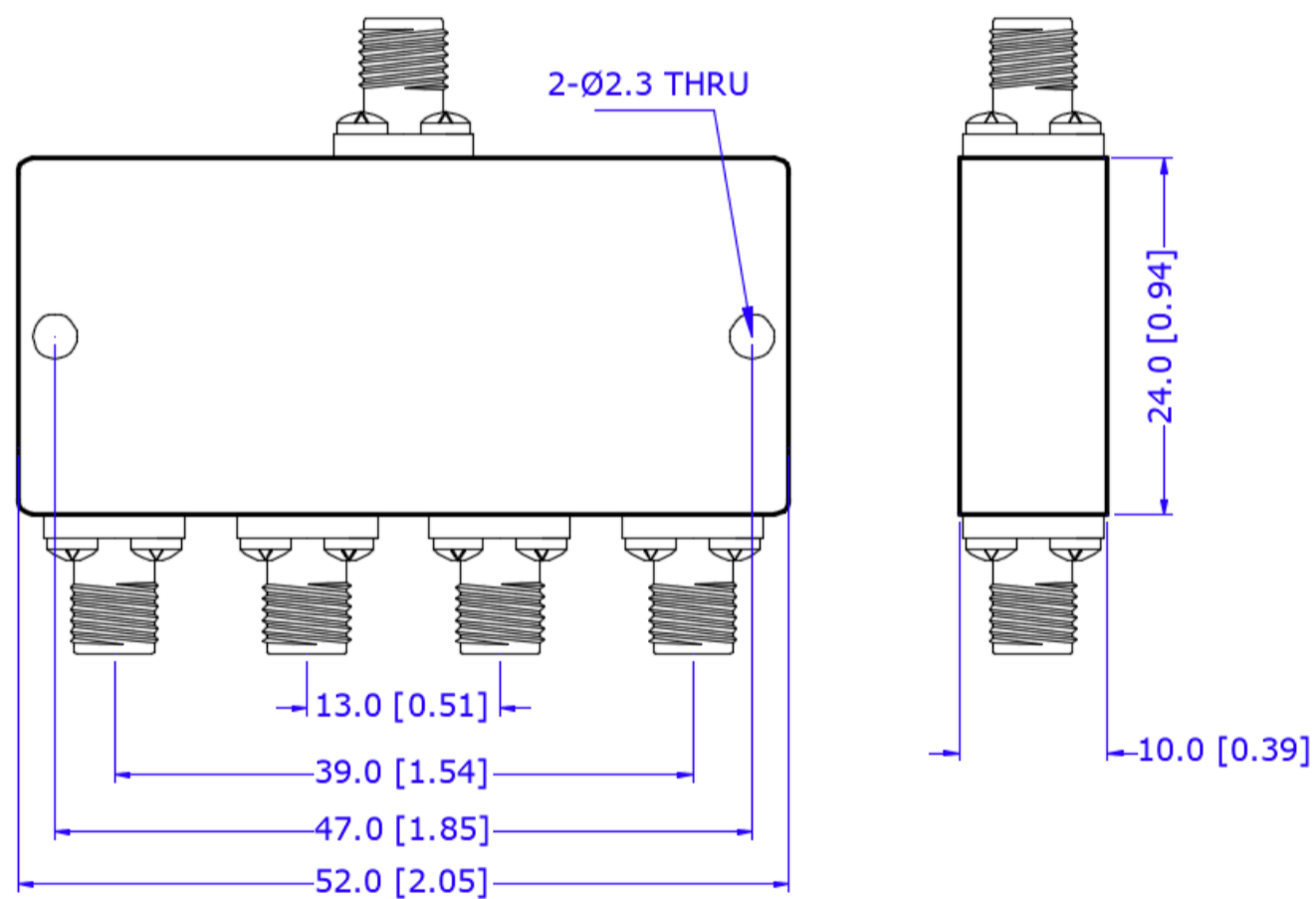
Mechanical Specifications

| | |
|-------------------|------------------------------|
| Dimension L*W*H | 52*24*10 mm |
| Input Connector | 2.4mm-Female Stainless Steel |
| Output Connectors | 2.4mm-Female Stainless Steel |
| Weight | TBD g |
| Finishing | Paint Black |
| Environment | Nominal |

Compliance Certifications

| | |
|-----------------|---|
| RoHS Compliant | ✓ |
| REACH Compliant | ✓ |

CAD Drawing



Dimensions are in mm [Inches]
 Tolerances : Outline drawing: ±0.2 [0.008]
 Hole: ±0.2 [0.008]