

Features

- Design : Wilkinson
- Stainless Steel Connectors
- Low Insertion Loss 1.5dB
- RoHS and REACH Compliant
- High Isolation 9dB

Electrical Specifications

Description	Units	Minimum	Typical	Maximum
Freq. Range	GHz	DC		2
Nominal Splitter Loss	dB		9.6	
Insertion Loss	dB			1.5
Input VSWR				1.3
Output VSWR				1.3
Amplitude Balance	dB			0.5
Phase Balance	deg			5
Isolation	dB	9		
Forward Power	W			1
Reverse Power	W			-
Peak Power	KW			-
Impedance	Ohms		50	
Operating Temp.	°C	-45		+85

Special Requirements

Note

- Electronic Specification Note : Values at 25deg , sea level. Test indicators will deteriorate at high and low temperature ;
- All output ports /power combiner in-amplitude (0dB difference) ;
- All output ports /power combiner in-phase (0° difference) ;

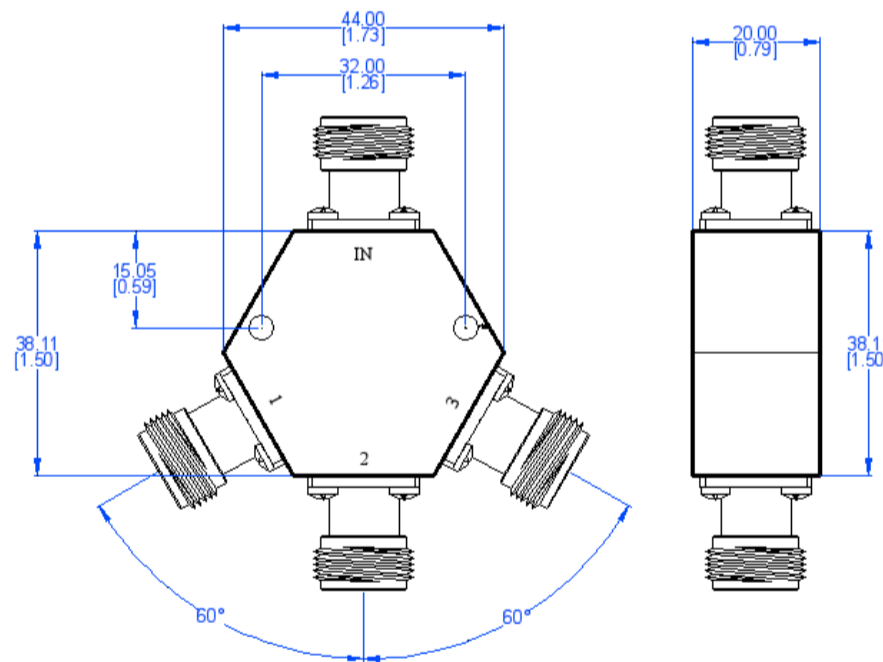
Mechanical Specifications

Dimension L*W*H	44*38.1*20 mm
Input Connector	BNC-Female Stainless Steel
Output Connectors	BNC-Female Stainless Steel
Weight	TBD g
Finishing	Paint Black
Environment	Nominal

Compliance Certifications

RoHS Compliant	✓
REACH Compliant	✓

CAD Drawing



Dimensions are in mm [Inches]
 Tolerances : Outline drawing: ± 0.2 [0.008]
 Hole: ± 0.2 [0.008]