

Features

- Design : Wilkinson
- Stainless Steel Connectors
- Low Insertion Loss 1.2dB
- RoHS and REACH Compliant
- High Isolation 12dB

Electrical Specifications

Description	Units	Minimum	Typical	Maximum
Freq. Range	GHz	0.05		1
Nominal Splitter Loss	dB		3.0	
Insertion Loss	dB		0.6	1.2
Input VSWR				1.5
Output VSWR				1.3
Amplitude Balance	dB			0.3
Phase Balance	deg			3
Isolation	dB	12	18	
Forward Power	W			50
Reverse Power	W			3
Peak Power	KW			
Impedance	Ohms		50	
Operating Temp.	°C	-40		+70

Special Requirements

Isolation : 12dB min and 15dB type @ 50-100MHz
18dB min and 20dB type @ 100-1000MHz

Note

- Electronic Specification Note : Values at 25deg , sea level. Test indicators will deteriorate at high and low temperature ;
- All output ports /power combiner in-amplitude (0dB difference) ;
- All output ports /power combiner in-phase (0° difference) ;

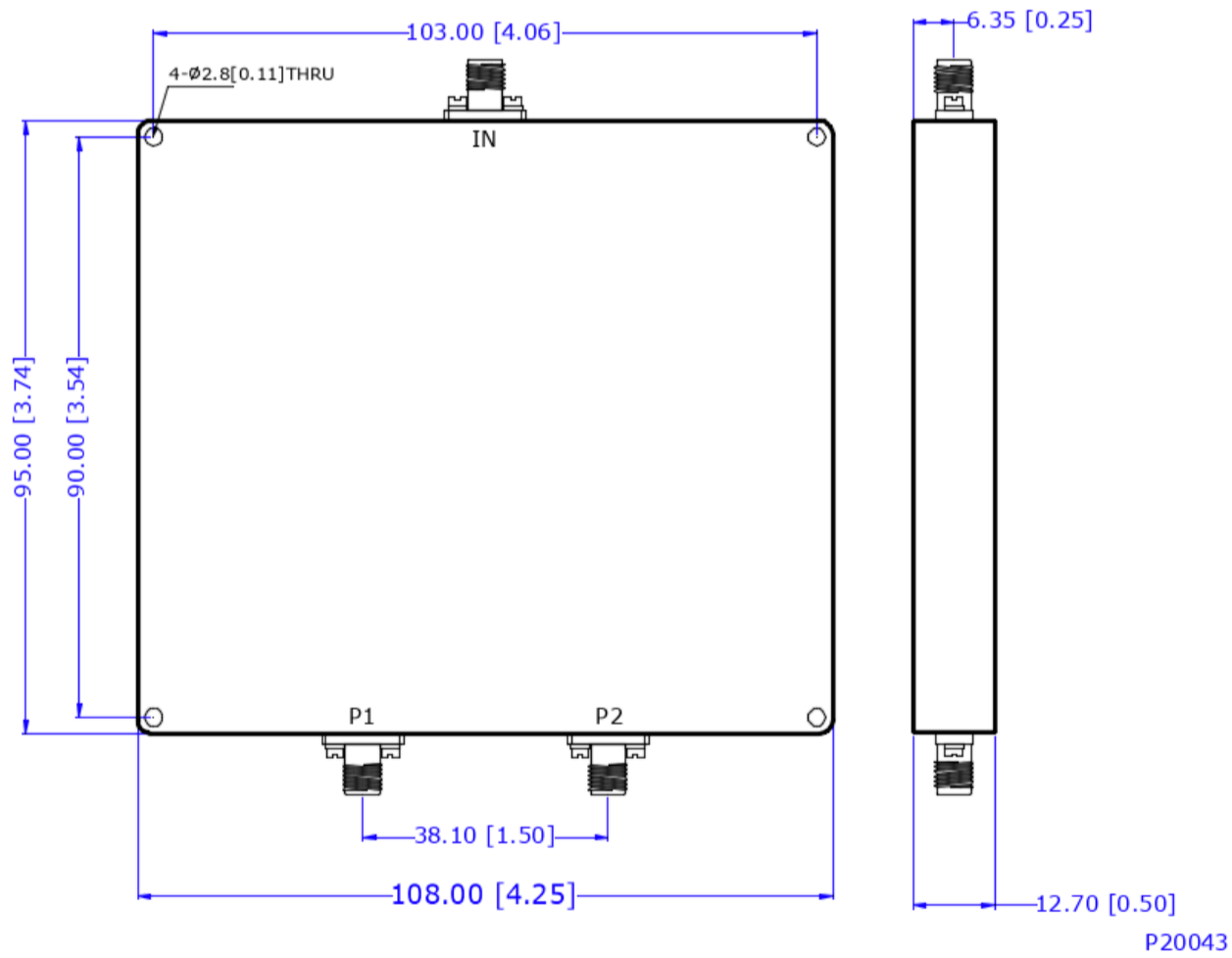
Mechanical Specifications

Dimension L*W*H	108*95*12.7 mm
Input Connector	SMA-Female Stainless Steel
Output Connectors	SMA-Female Stainless Steel
Weight	TBD g
Finishing	Paint Black
Environment	Nominal

Compliance Certifications

RoHS Compliant	✓
REACH Compliant	✓

CAD Drawing



Dimensions are in mm [Inches]
Tolerances : Outline drawing: ±0.2 [0.008]
Hole: ±0.2 [0.008]