

Features

- Design : Wilkinson
- Stainless Steel Connectors
- Low Insertion Loss 1.0dB
- RoHS and REACH Compliant
- High Isolation 15dB

Electrical Specifications

Description	Units	Minimum	Typical	Maximum
Freq. Range	GHz	6		40
Nominal Splitter Loss	dB		3.0	
Insertion Loss	dB			1.0
Input VSWR				2.0
Output VSWR				2.0
Amplitude Balance	dB			1.0
Phase Balance	deg			10
Isolation	dB	15		
Forward Power	W			10
Reverse Power	W			0.5
Peak Power	KW			0.5
Impedance	Ohms		50	
Operating Temp.	°C	-45		+85

Special Requirements

Note

- Electronic Specification Note : Values at 25deg , sea level. Test indicators will deteriorate at high and low temperature ;
- All output ports /power combiner in-amplitude (0dB difference) ;
- All output ports /power combiner in-phase (0° difference) ;

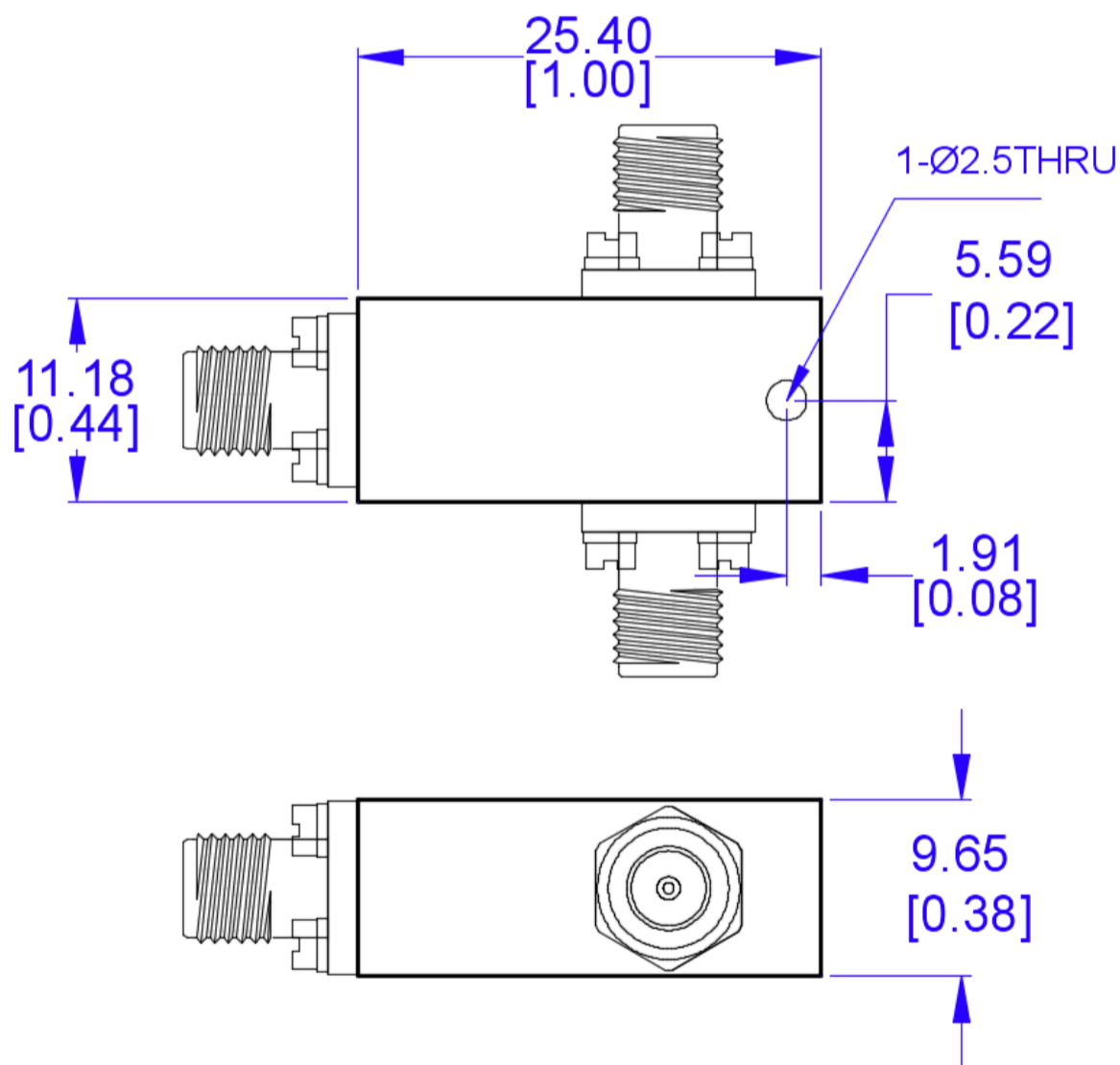
Mechanical Specifications

Dimension L*W*H	25.4*11.2*9.65 mm
Input Connector	2.92mm-Female Stainless Steel
Output Connectors	2.92mm-Female Stainless Steel
Weight	TBD g
Finishing	Paint Black
Environment	Nominal

Compliance Certifications

RoHS Compliant	✓
REACH Compliant	✓

CAD Drawing



Dimensions are in mm [Inches]
 Tolerances : Outline drawing: ±0.2 [0.008]
 Hole: ±0.2 [0.008]