

## Features

- Design : Wilkinson
- Ni Plating Connectors
- Low Insertion Loss 1.0dB
- RoHS and REACH Compliant
- High Isolation 18dB

## Electrical Specifications

Description	Units	Minimum	Typical	Maximum
Freq. Range	GHz	6		7
Nominal Splitter Loss	dB		3.0	
Insertion Loss	dB			1.0
Input VSWR				1.5
Output VSWR				1.5
Amplitude Balance	dB			1
Phase Balance	deg			10
Isolation	dB	18		
Forward Power	W			10
Reverse Power	W			2
Peak Power	KW			1
Impedance	Ohms		50	
Operating Temp.	°C	-45		+85

## Special Requirements

## Note

- Electronic Specification Note : Values at 25deg , sea level. Test indicators will deteriorate at high and low temperature ;
- All output ports /power combiner in-amplitude (0dB difference) ;
- All output ports /power combiner in-phase (0° difference) ;

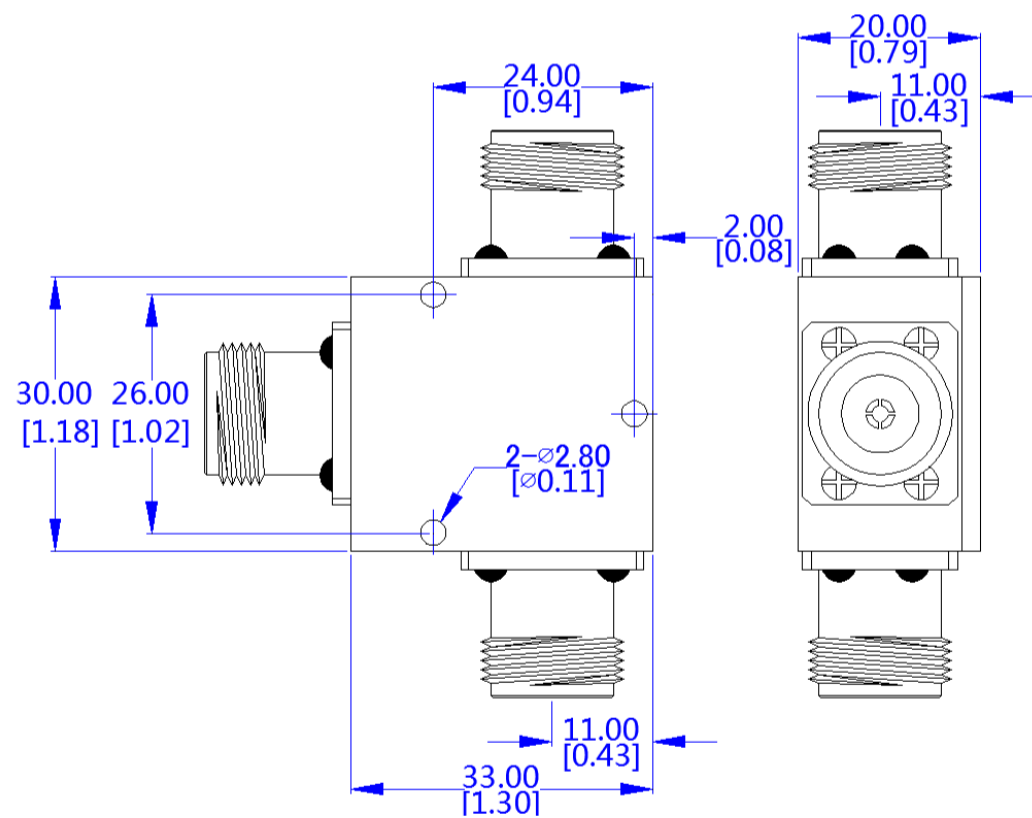
### Mechanical Specifications

Dimension L*W*H	33*30*20 mm
Input Connector	N-Female Ni Plating
Output Connectors	N-Female Ni Plating
Weight	TBD g
Finishing	Paint Black
Environment	Nominal

### Compliance Certifications

RoHS Compliant	✓
REACH Compliant	✓

### CAD Drawing



Dimensions are in mm [Inches]  
Tolerances : Outline drawing: ±0.2 [0.008]  
Hole: ±0.2 [0.008]