

Features

- Design : Wilkinson
- Stainless Steel Connectors
- Low Insertion Loss 1.2dB
- RoHS and REACH Compliant
- High Isolation 18dB

Electrical Specifications

Description	Units	Minimum	Typical	Maximum
Freq. Range	GHz	0.6		6
Nominal Splitter Loss	dB		3.0	
Insertion Loss	dB			1.2
Input VSWR			1.18	1.35
Output VSWR			1.16	1.25
Amplitude Balance	dB			±0.2
Phase Balance	deg			±3
Isolation	dB	18	22	
Forward Power	W			30
Reverse Power	W			1
Peak Power	KW			
Impedance	Ohms		50	
Operating Temp.	°C	-40		+70

Special Requirements

DC Current: 200mA for each Port

Note

- Electronic Specification Note : Values at 25deg , sea level. Test indicators will deteriorate at high and low temperature ;
- All output ports /power combiner in-amplitude (0dB difference) ;
- All output ports /power combiner in-phase (0° difference) ;

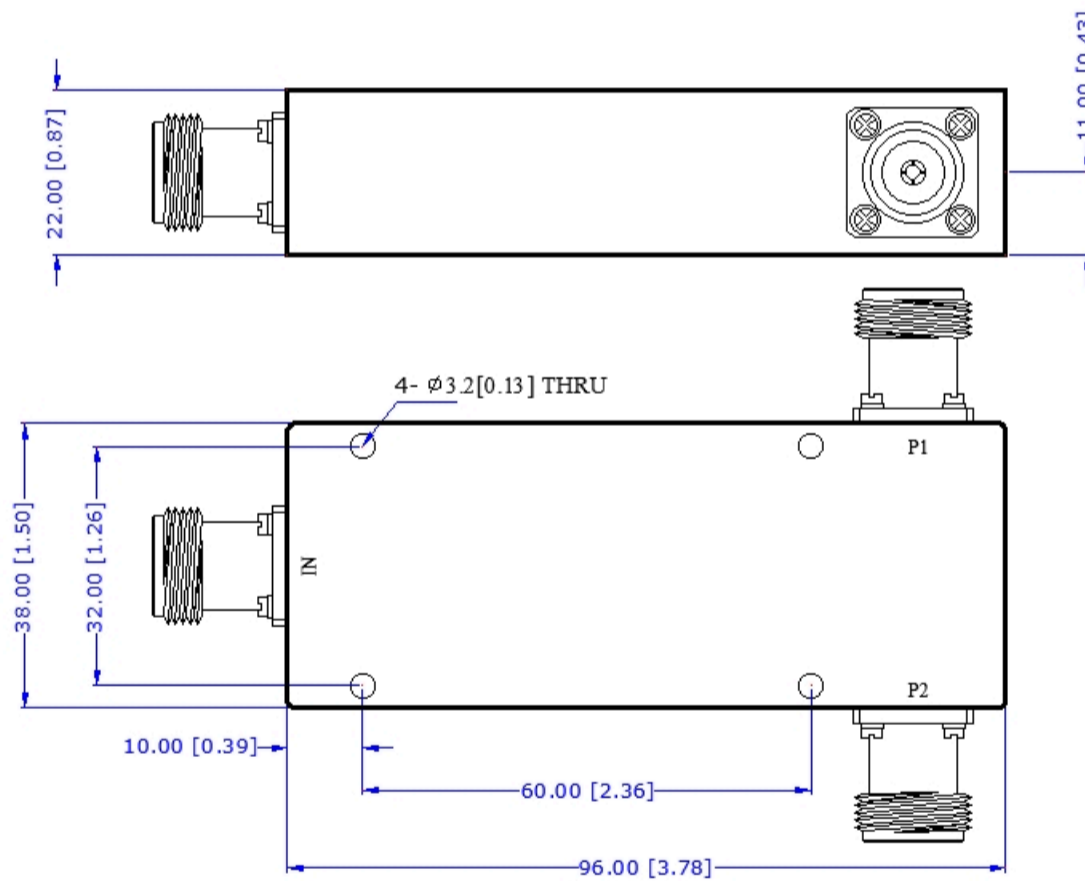
Mechanical Specifications

Dimension L*W*H	96*38*22 mm
Input Connector	N-Female Stainless Steel
Output Connectors	N-Female Stainless Steel
Weight	TBD g
Finishing	Paint Black
Environment	Nominal

Compliance Certifications

RoHS Compliant	✓
REACH Compliant	✓

CAD Drawing



Dimensions are in mm [Inches]
 Tolerances : Outline drawing: ±0.2 [0.008]
 Hole: ±0.2 [0.008]