

Features

- Design : Wilkinson
- Stainless Steel Connectors
- Low Insertion Loss 0.2dB
- RoHS and REACH Compliant
- High Isolation 22dB

Electrical Specifications

Description	Units	Minimum	Typical	Maximum
Freq. Range	GHz	0.5		1
Nominal Splitter Loss	dB		3.0	
Insertion Loss	dB			0.2
Input VSWR				1.20
Output VSWR				1.10
Amplitude Balance	dB			0.20
Phase Balance	deg			2.0
Isolation	dB	22		
Forward Power	W			30
Reverse Power	W			2
Peak Power	KW			0.5
Impedance	Ohms		50	
Operating Temp.	°C	-45		+85

Special Requirements

Note

- Electronic Specification Note : Values at 25deg , sea level. Test indicators will deteriorate at high and low temperature ;
- All output ports /power combiner in-amplitude (0dB difference) ;
- All output ports /power combiner in-phase (0° difference) ;

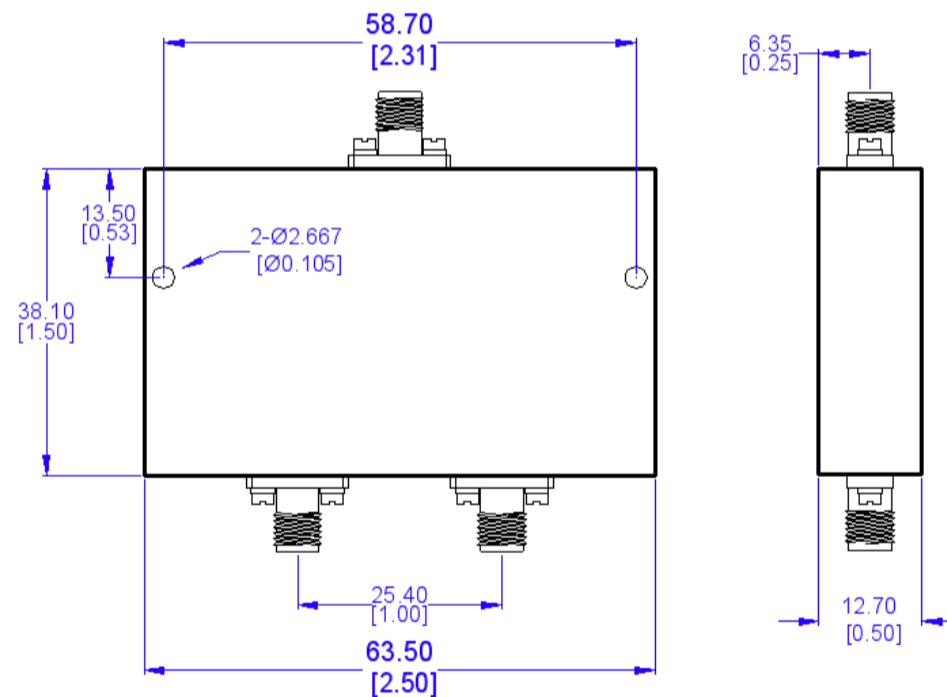
Mechanical Specifications

Dimension L*W*H	63.5*38.1812.7 mm
Input Connector	SMA-Female Stainless Steel
Output Connectors	SMA-Female Stainless Steel
Weight	70 g
Finishing	Paint Black
Environment	Nominal

Compliance Certifications

RoHS Compliant	✓
REACH Compliant	✓

CAD Drawing



Dimensions are in mm [Inches]
Tolerances : Outline drawing: ±0.2 [0.008]
Hole: ±0.2 [0.008]