

## Features

- Design : Wilkinson
- Stainless Steel Connectors
- Low Insertion Loss 0.8dB
- RoHS and REACH Compliant
- High Isolation 20dB

## Electrical Specifications

Description	Units	Minimum	Typical	Maximum
Freq. Range	GHz	0.5		6
Nominal Splitter Loss	dB		3.0	
Insertion Loss	dB			0.8
Input VSWR				1.35
Output VSWR				1.3
Amplitude Balance	dB			0.2
Phase Balance	deg			3
Isolation	dB	20		
Forward Power	W			50
Reverse Power	W			2
Peak Power	KW			0.5
Impedance	Ohms		50	
Operating Temp.	°C	-45		+85

## Special Requirements

## Note

- Electronic Specification Note : Values at 25deg , sea level. Test indicators will deteriorate at high and low temperature ;
- All output ports /power combiner in-amplitude (0dB difference) ;
- All output ports /power combiner in-phase (0° difference) ;

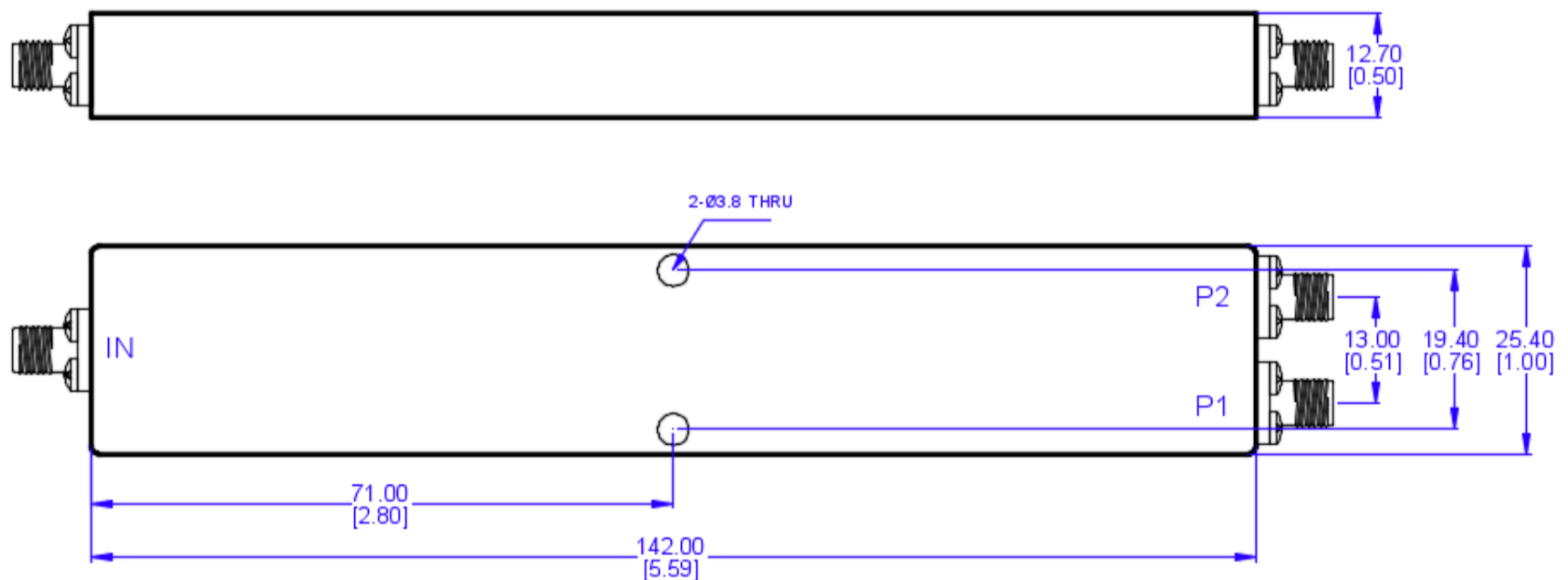
### Mechanical Specifications

Dimension L*W*H	142*25.4*12.7 mm
Input Connector	SMA-Female Stainless Steel
Output Connectors	SMA-Female Stainless Steel
Weight	TBD g
Finishing	Paint Black
Environment	Nominal

### Compliance Certifications

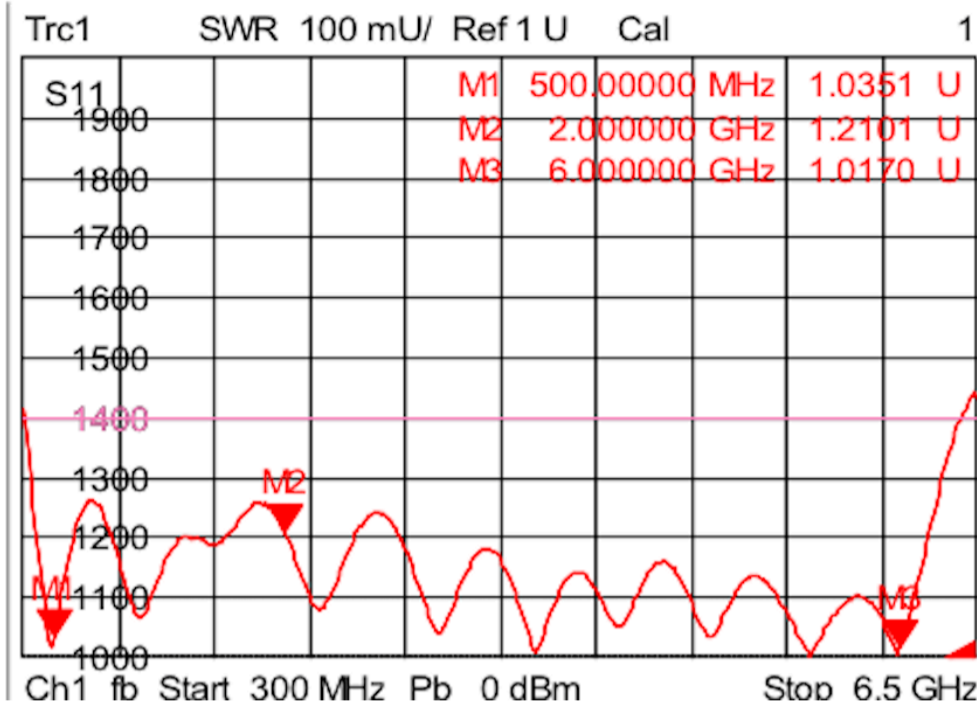
RoHS Compliant	✓
REACH Compliant	✓

### CAD Drawing

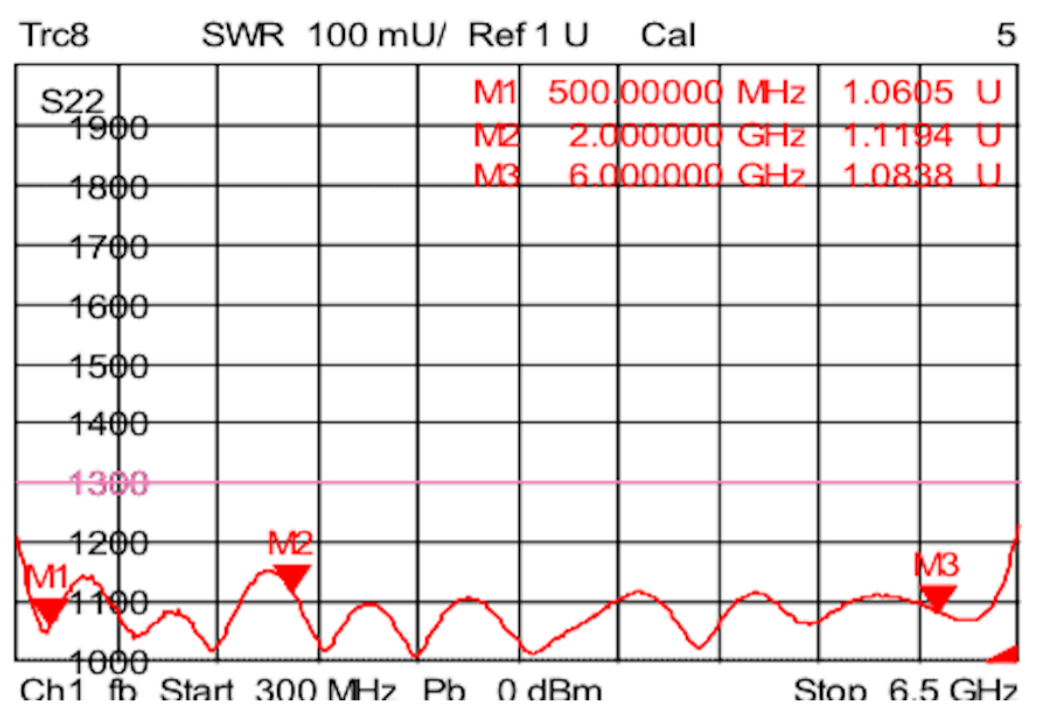


Dimensions are in mm [Inches]  
Tolerances : Outline drawing: ±0.2 [0.008]  
Hole: ±0.2 [0.008]

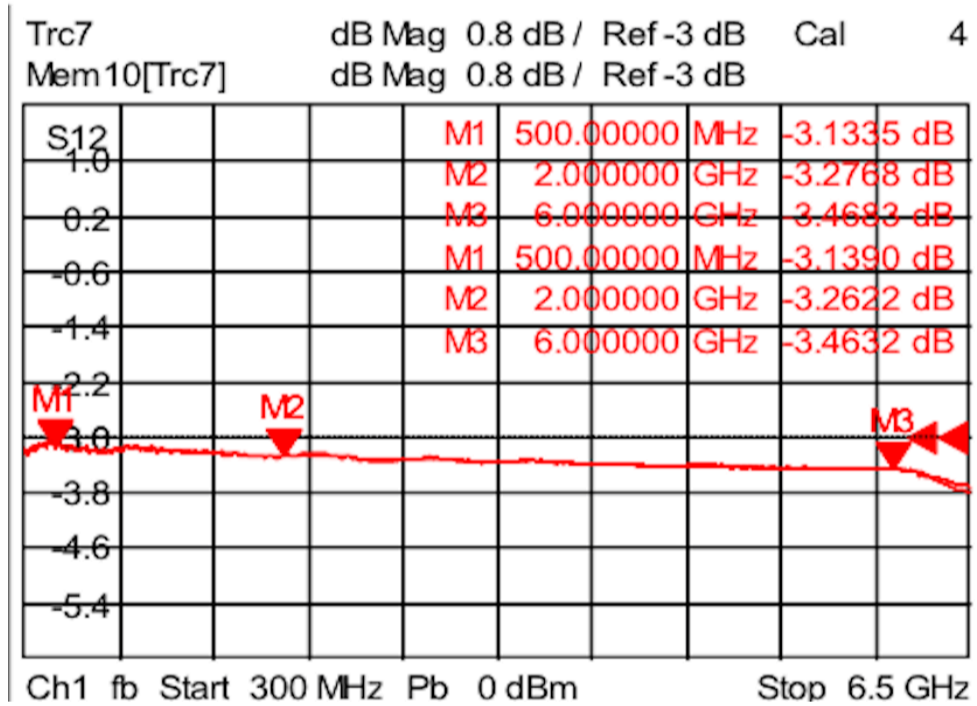
### Input Port VSWR



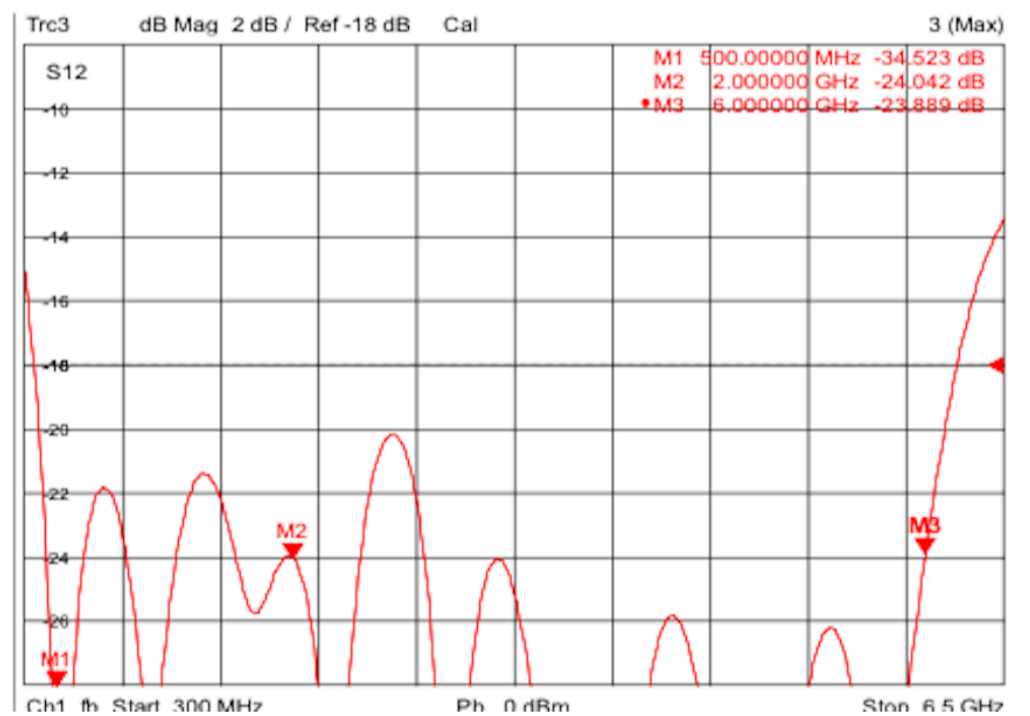
### Output Port VSWR



### Output Port Insertion Loss



### Output Port Isolation



### Amplitude Balance



### Phase Balance

