

Features

- Small Signal Gain 32dB
- Low Gain Flatness
- Input VSWR 2.0
- Output Power 42dBm
- RoHS and REACH Compliant

Electrical Specifications

Description	Units	Minimum	Typical	Maximum
Freq. Range	GHz	2		4
Small Signal Gain	dB	32	34	
Gain Flatness	dB			±2
Noise figure	dB		-	
Output Power @Psat	dBm	42		
Output Power @P1dB	dBm	-	-	-
Input VSWR	: 1			2.0
Output VSWR	: 1			-
OIP3	dBm		-	
Reverse Isolation	dB	-		
Spurious	dBc	-		
Harmonics	dBc			
TTL Control				
TTL Switching Time	us		-	
Supply Current (Vcc=+28V)	mA		TBD	
Operating Temp.	°C	-10		+50

Special Requirements

Output add Isolator

Note

- Electronic Specification Note : Values at 25deg , sea level. Test indicators will deteriorate at high and low temperature ;
- ESD sensitive material , Transport material in approved ESD bags. Handle only in approved ESD workstation;
- Providing effective cooling measures and electrostatic protection;
- If the product is damaged due to over-drive, no-load, over-temperature, over-current and static electricity in use. Customer needs to pay for the cost of maintenance.

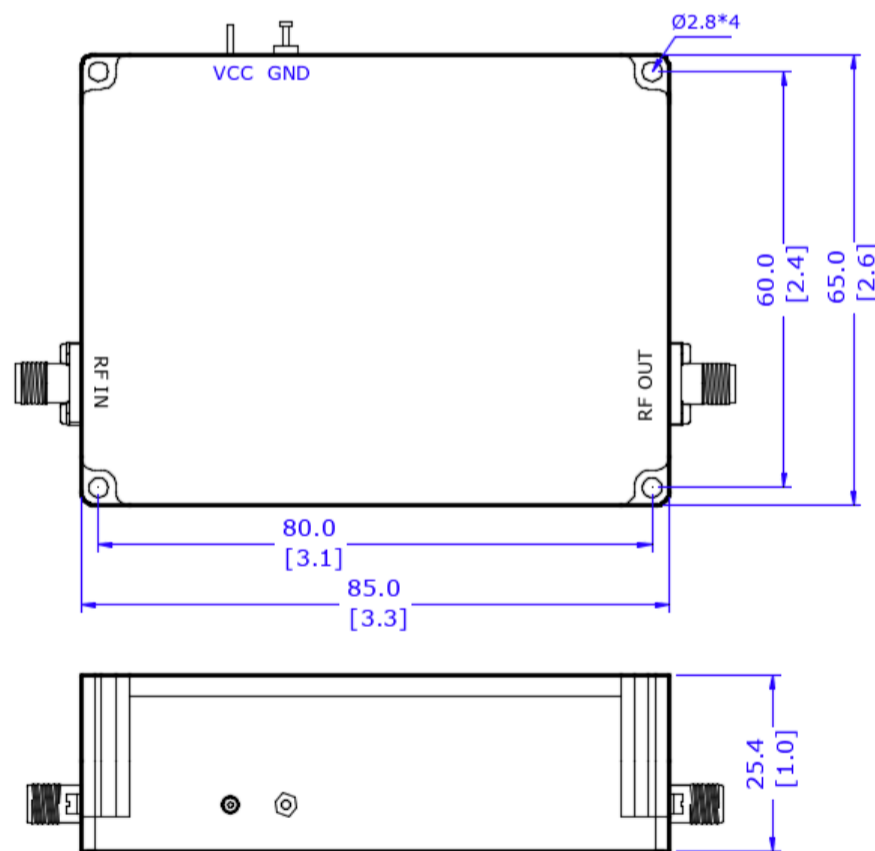
Mechanical Specifications

Dimension L*W*H	85*65*25.4 mm
Input Connector	SMA-Female Stainless Steel
Output Connector	SMA-Female Stainless Steel
Weight	TBD g
Finishing	Nickel Plated
Environment	X

Compliance Certifications

RoHS Compliant	✓
REACH Compliant	✓

CAD Drawing



Dimensions are in mm [Inches]
Tolerances : Outline drawing: ±0.2 [0.008]
Hole: ±0.2 [0.008]