

Features

- Small Signal Gain 8dB
- Low Gain Flatness
- Input VSWR 2.0
- Output Power 29dBm
- RoHS and REACH Compliant

Electrical Specifications

Description	Units	Minimum	Typical	Maximum
Freq. Range	GHz	35		38
Small Signal Gain	dB	8		
Gain Flatness	dB			±1.6
Noise figure	dB		8	
Output Power @P1dB	dBm	29		
Input VSWR	: 1			2.0
Output VSWR	: 1			-
OIP3	dBm		-	
Reverse Isolation	dB	-		
Spurious	dBc	-		
Harmonics	dBc			
TTL Control				
TTL Switching Time	us		-	
Supply Current (Vcc=6V)	mA		2000	
Operating Temp.	°C	-40		+70

Special Requirements

Power ON / OFF : 0V - OFF ; +5V - ON ; NF : 8dB (theoretical value)

Note

- Electronic Specification Note : Values at 25deg , sea level. Test indicators will deteriorate at high and low temperature ;
- ESD sensitive material , Transport material in approved ESD bags. Handle only in approved ESD workstation;
- Providing effective cooling measures and electrostatic protection;
- If the product is damaged due to over-drive, no-load, over-temperature, over-current and static electricity in use. Customer needs to pay for the cost of maintenance.

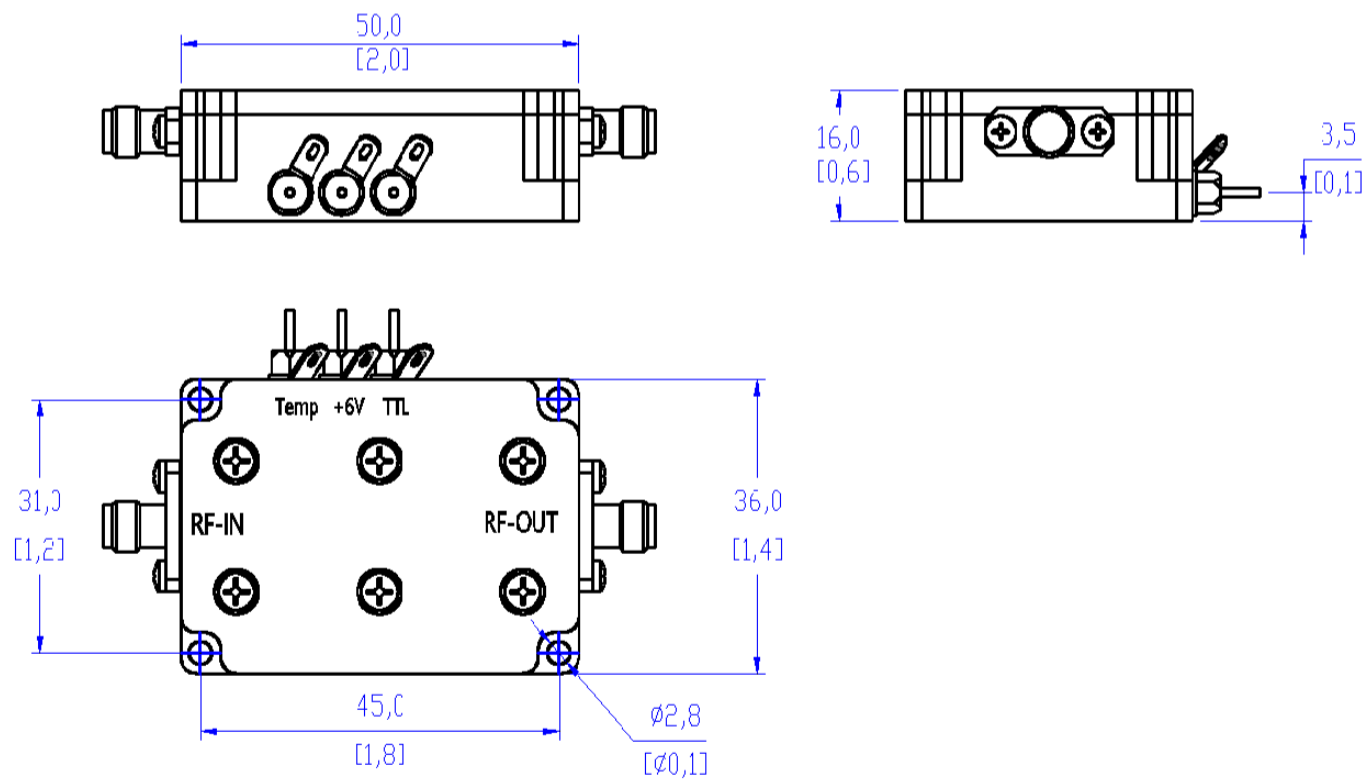
Mechanical Specifications

Dimension L*W*H	50*36*16 mm
Input Connector	2.92mm-Female Stainless Steel
Output Connector	2.92mm-Female Stainless Steel
Weight	70 g
Finishing	Nickel Plated
Environment	X

Compliance Certifications

RoHS Compliant	✓
REACH Compliant	✓

CAD Drawing



Dimensions are in mm [Inches]
Tolerances : Outline drawing: ± 0.2 [0.008]
Hole: ± 0.2 [0.008]