

Features

- Small Signal Gain 30dB
- Low Gain Flatness
- Input VSWR 2.0
- Output Power 5dBm
- RoHS and REACH Compliant

Electrical Specifications

Description	Units	Minimum	Typical	Maximum
Freq. Range	GHz	0.5		6
Max input Power	dBm			+20
Small Signal Gain	dB	30		
Gain Flatness	dB			±1.5
Noise figure	dB			2.0
Output Power @P1dB	dBm	5		
Input VSWR	: 1			2.0
Output VSWR	: 1			2.0
OIP3	dBm		15	
TTL Control				
TTL Switching Time	us			
Supply Current (Vcc=+12V)	mA		150	
Operating Temp.	°C	-55		+85

Special Requirements

Input port add DC capacitor.

Isolation : 40@S11 and 50@S22

Note

- Electronic Specification Note : Values at 25deg , sea level. Test indicators will deteriorate at high and low temperature ;
- ESD sensitive material , Transport material in approved ESD bags. Handle only in approved ESD workstation;
- Providing effective cooling measures and electrostatic protection;
- If the product is damaged due to over-drive, no-load, over-temperature, over-current and static electricity in use. Customer needs to pay for the cost of maintenance.

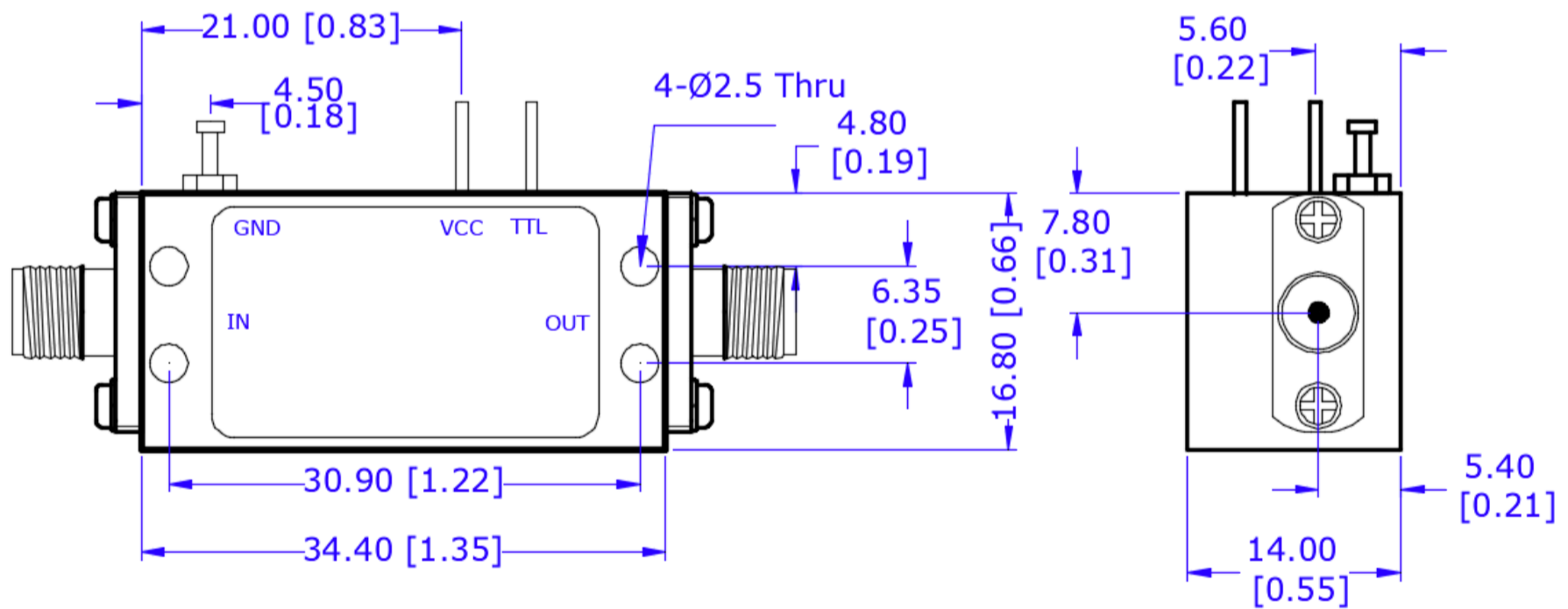
Mechanical Specifications

Dimension L*W*H	34.4*16.8*14 mm
Input Connector	SMA-Female
Output Connector	SMA-Female
Weight	17 g
VDC Connector	
Finishing	Nickel Pla
Environment	X

Compliance Certifications

RoHS Compliant	✓
REACH Compliant	✓

CAD Drawing



Dimensions are in mm [Inches]
Tolerances : Outline drawing: ±0.2 [0.008]
Hole: ±0.2 [0.008]