

## Features

- Small Signal Gain 10dB
- Low Gain Flatness
- Input VSWR 2.0
- Output Power 15dBm
- RoHS and REACH Compliant

## Electrical Specifications

Description	Units	Minimum	Typical	Maximum
Freq. Range	GHz	6		18
Max input Power	dBm			10
Small Signal Gain	dB	10		
Gain Flatness	dB			±1
Noise figure	dB			2.5
Output Power @P1dB	dBm	15		
Input VSWR	: 1			2.0
Output VSWR	: 1			2.0
OIP3	dBm		-	
TTL Control				
TTL Switching Time	us			
Supply Current (Vcc=+12V)	mA		100	
Operating Temp.	°C	-55		+85

## Special Requirements

Gain : 15dB Type

## Note

- Electronic Specification Note : Values at 25deg , sea level. Test indicators will deteriorate at high and low temperature ;
- ESD sensitive material , Transport material in approved ESD bags. Handle only in approved ESD workstation;
- Providing effective cooling measures and electrostatic protection;
- If the product is damaged due to over-drive, no-load, over-temperature, over-current and static electricity in use. Customer needs to pay for the cost of maintenance.

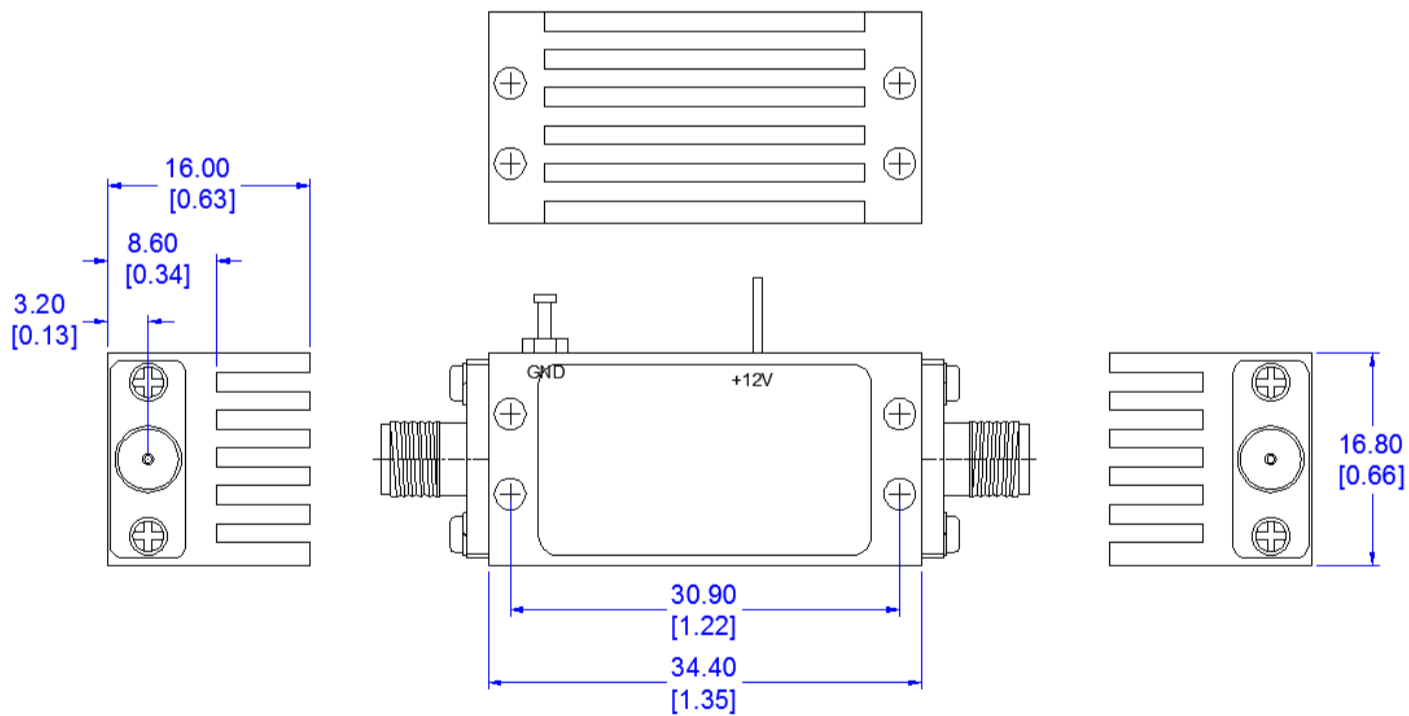
## Mechanical Specifications

Dimension L*W*H	34.4*16.8*16 mm
Input Connector	SMA-Female
Output Connector	SMA-Female
Weight	25 g
VDC Connector	
Finishing	Silver Plated
Environment	X

## Compliance Certifications

RoHS Compliant	✓
REACH Compliant	✓

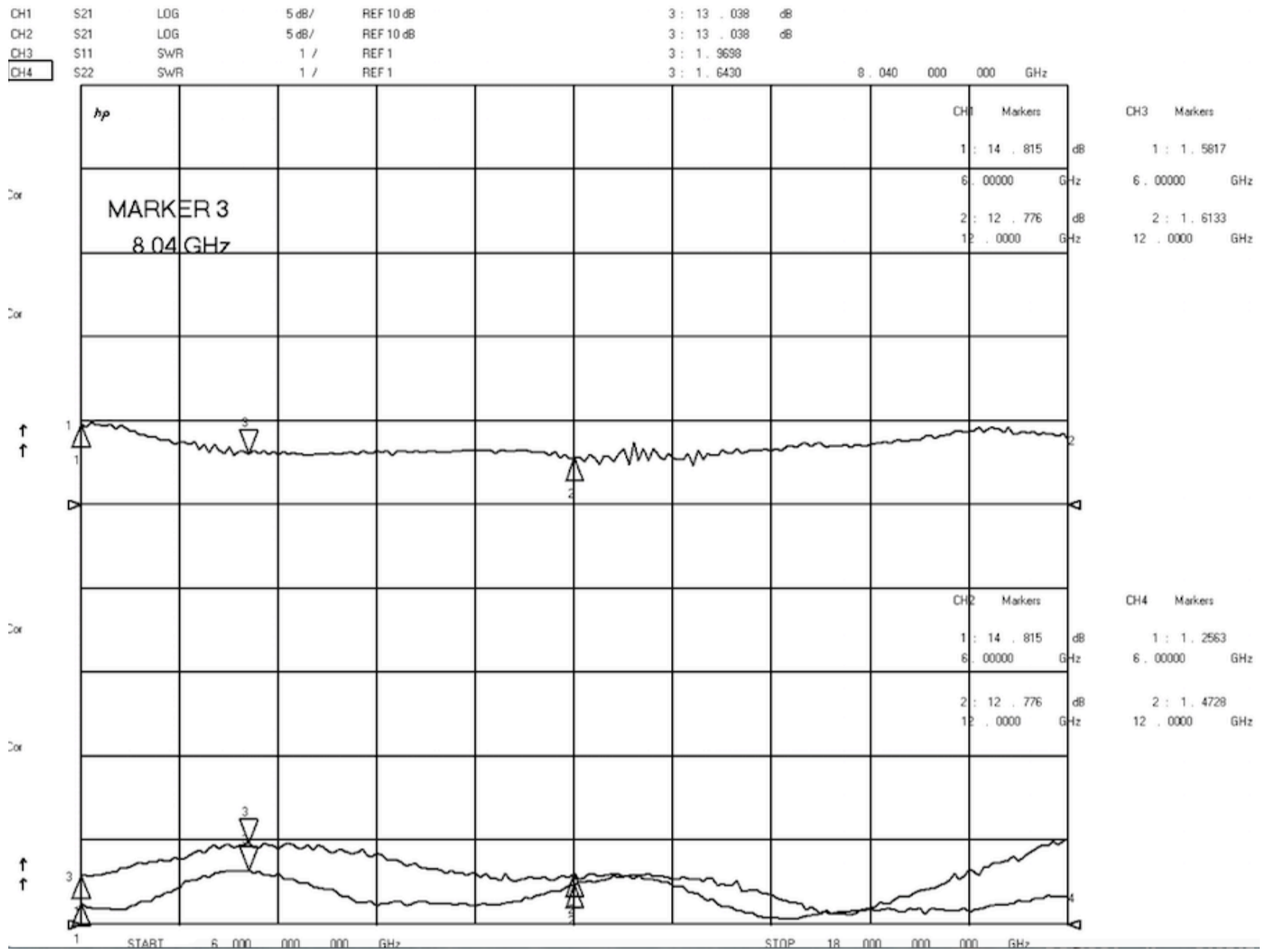
## CAD Drawing



Dimensions are in mm [Inches]  
Tolerances : Outline drawing: ±0.2 [0.008]  
Hole: ±0.2 [0.008]

Input Port VSWR

Output Port VSWR



\$D1.[FLA042L]

Output Port Insertion Loss

\$D1.[FMB2P5P]

Output Port Isolation

\$D1.[FE3XM1X]

Amplitude Balance

\$D1.[FE1JW2S]

Phase Balance

\$D1.[FX9Y6VG]