

Features

- Small Signal Gain 8dB
- Low Gain Flatness
- Input VSWR 2.5
- Output Power 8dBm
- RoHS and REACH Compliant

Electrical Specifications

Description	Units	Minimum	Typical	Maximum
Freq. Range	GHz	18		40
Max input Power	dBm			5
Small Signal Gain	dB	8		
Gain Flatness	dB			±1.5
Noise figure	dB		5	5.5
Output Power @P1dB	dBm	8		
Input VSWR	: 1			2.5
Output VSWR	: 1			2.5
OIP3	dBm		-	
TTL Control				
TTL Switching Time	us			
Supply Current (Vcc=+12V)	mA		80	
Operating Temp.	°C	-40		+70

Special Requirements

Note

- Electronic Specification Note : Values at 25deg , sea level. Test indicators will deteriorate at high and low temperature ;
- ESD sensitive material , Transport material in approved ESD bags. Handle only in approved ESD workstation;
- Providing effective cooling measures and electrostatic protection;
- If the product is damaged due to over-drive, no-load, over-temperature, over-current and static electricity in use. Customer needs to pay for the cost of maintenance.

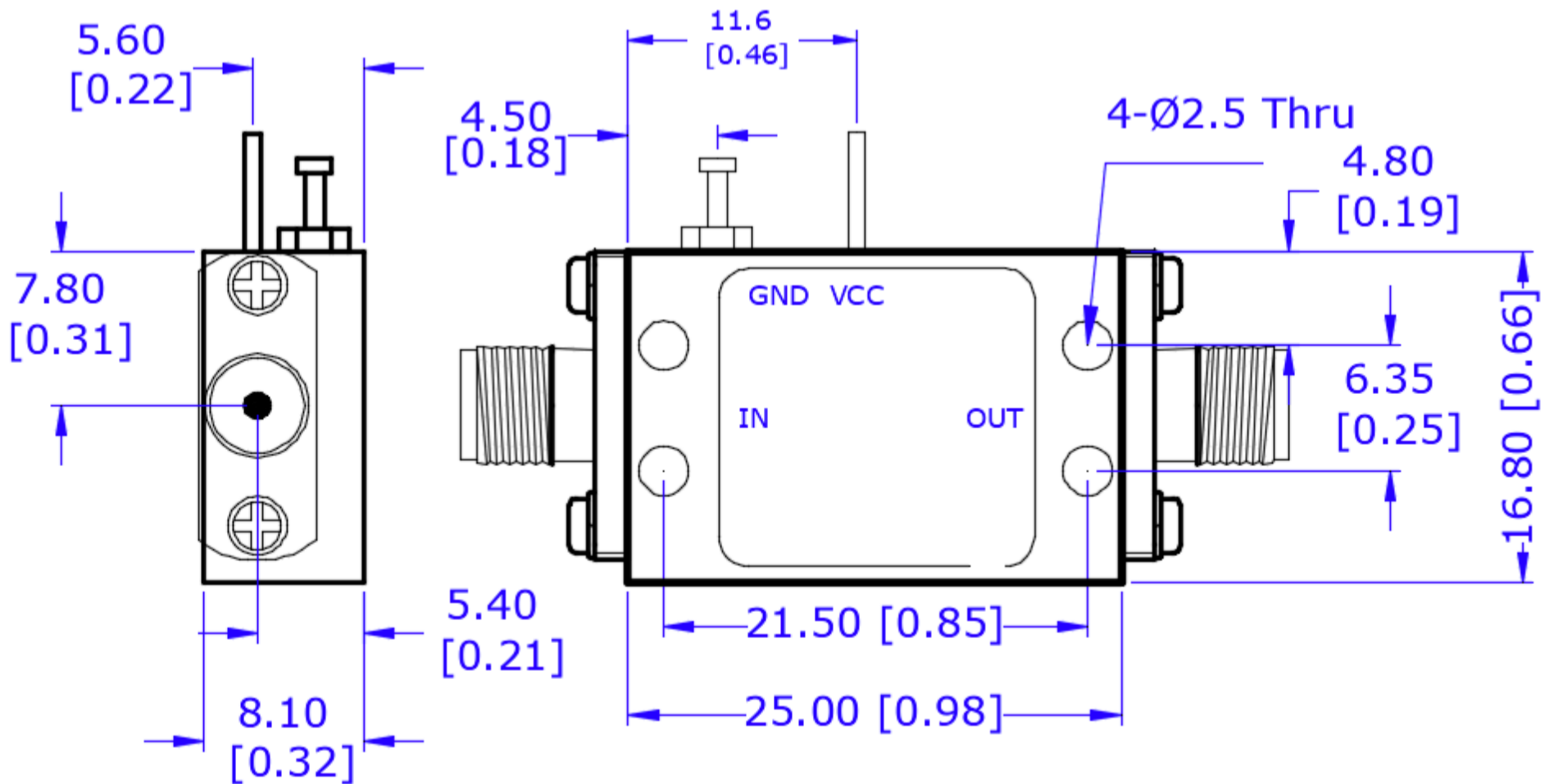
Mechanical Specifications

Dimension L*W*H	25*16.8*8.1 mm
Input Connector	2.92mm-Female
Output Connector	2.92mm-Female
Weight	20 g
VDC Connector	
Finishing	Nickel Plated
Environment	X

Compliance Certifications

RoHS Compliant	✓
REACH Compliant	✓

CAD Drawing



Dimensions are in mm [Inches]
 Tolerances : Outline drawing: ±0.2 [0.008]
 Hole: ±0.2 [0.008]