

## Features

- Low Phase Balance 14dB
- Low Insertion Loss 1.2dB
- Low Amplitude Balance 1.2dB
- RoHS and REACH Compliant
- High Isolation 16dB

## Electrical Specifications

Description	Units	Minimum	Typical	Maximum
Freq. Range	GHz	17.7		20.2
Phase Difference	deg		90	
Insertion Loss	dB			1.2
VSWR				1.7
Amplitude Balance	dB			1.2
Phase Balance	deg			14
Isolation	dB	16		
Input Power (CW)	W			20
Input Power (Peak)	KW			0.3
Impedance	Ohms		50	
Operating Temp.	°C	-45		+85

## Special Requirements

## Note

- Electronic Specification Note : Values at 25deg , sea level. Test indicators will deteriorate at high and low temperature ;
- Insertion Loss : Excludes Coupling loss insertion loss ;
- Relative Humidity 5 to 95% ;

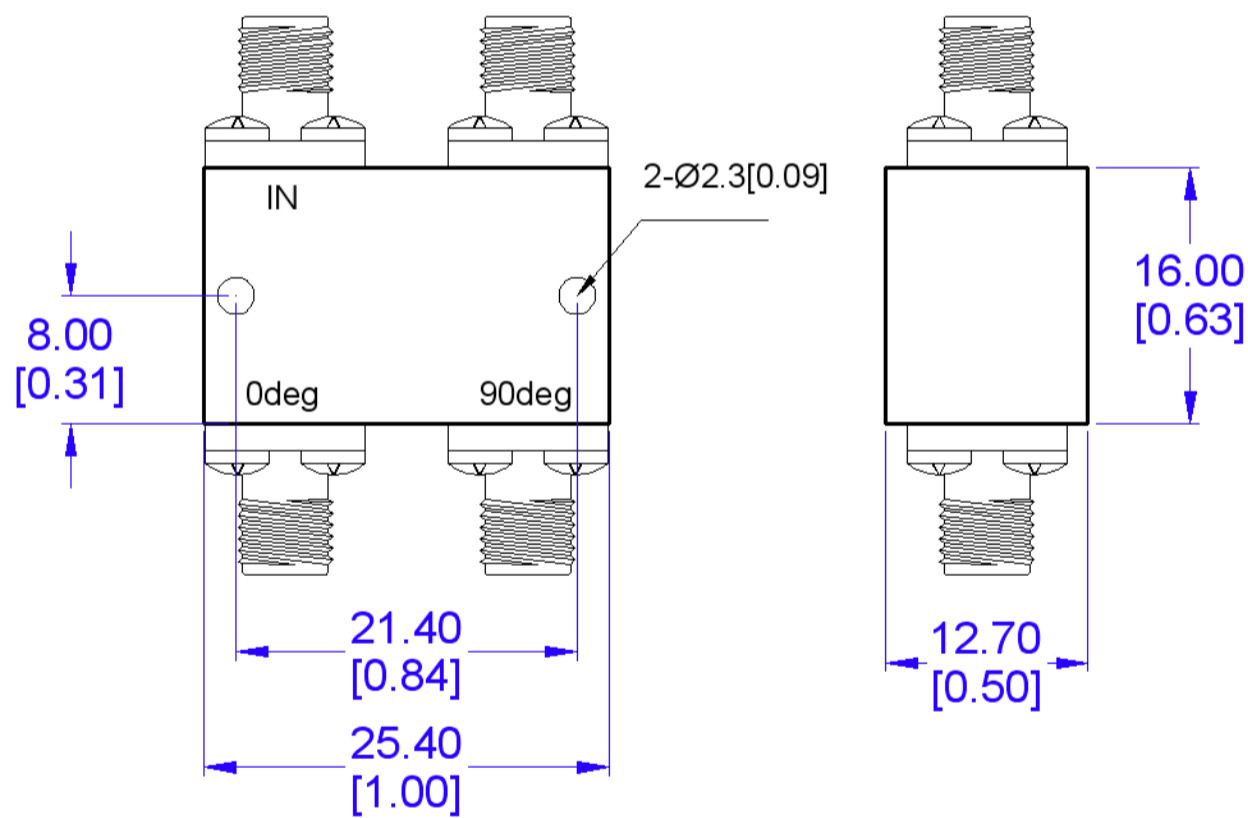
**Mechanical Specifications**

Dimension L*W*H	25.4*16*12.7 mm
Input Connector	SMA-Female Stainless Steel
Output Connectors	SMA-Female Stainless Steel
Weight	25 g
Finishing	[F8YL9F8]
Environment	Paint Black

**Compliance Certifications**

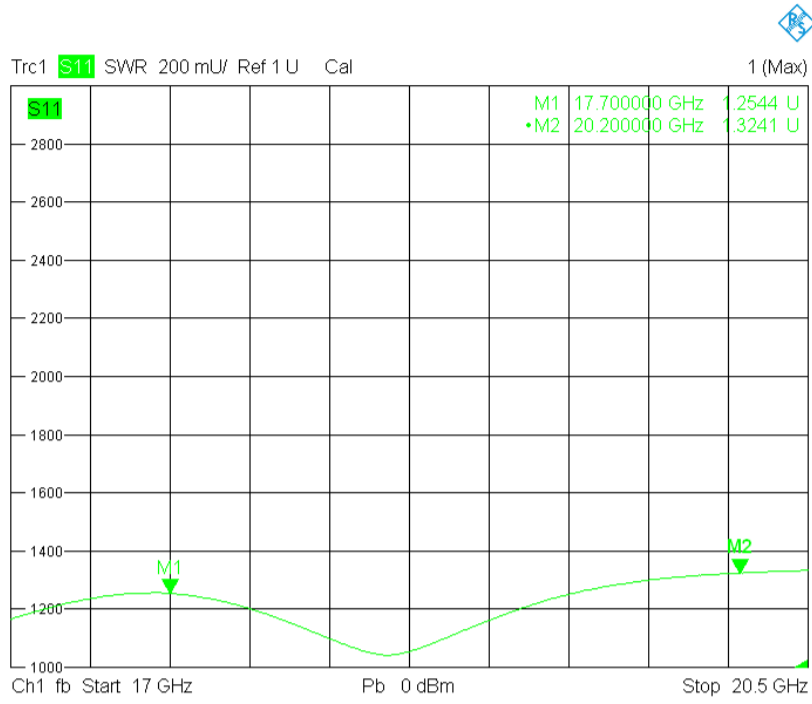
RoHS Compliant	Nominal
REACH Compliant	Nominal

**CAD Drawing**

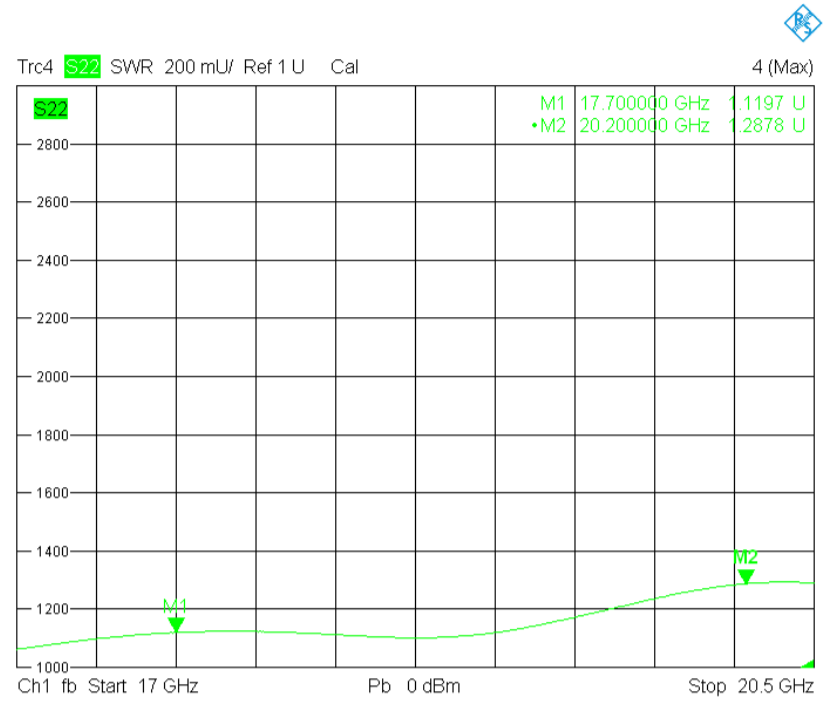


Dimensions are in mm [Inches]  
 Tolerances : Outline drawing: ±0.2 [0.008]  
 Hole: ±0.2 [0.008]

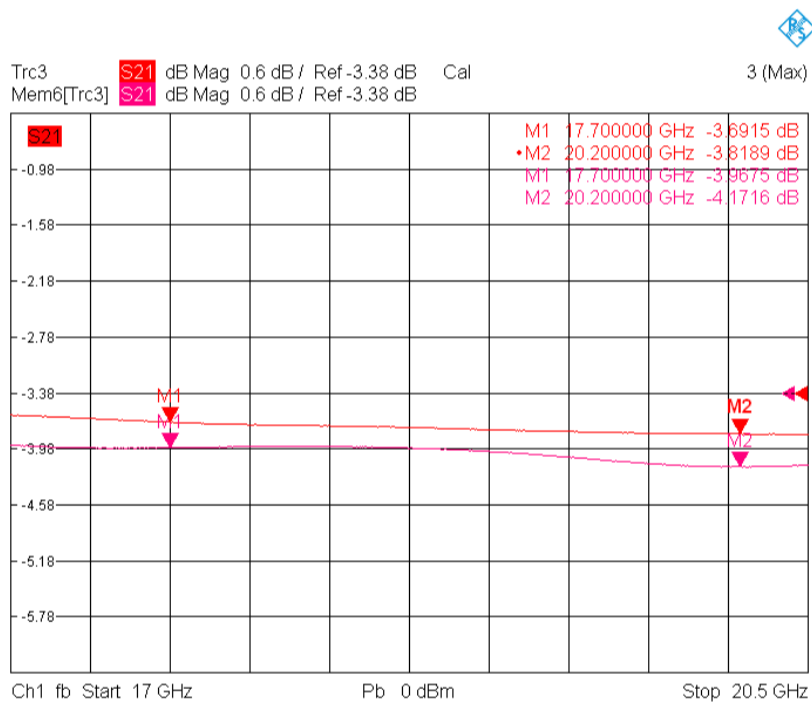
## Input Port VSWR



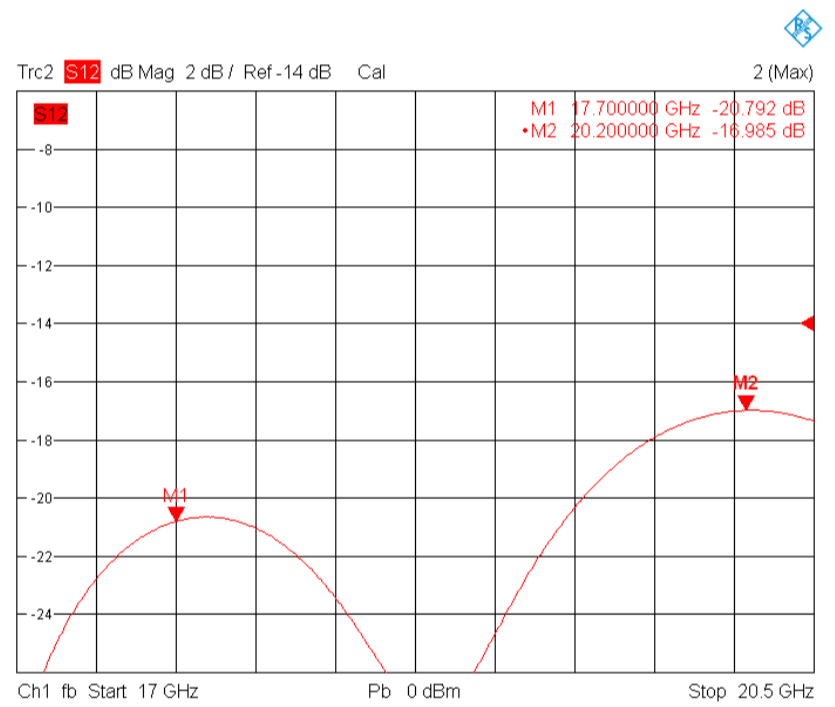
## Output Port VSWR



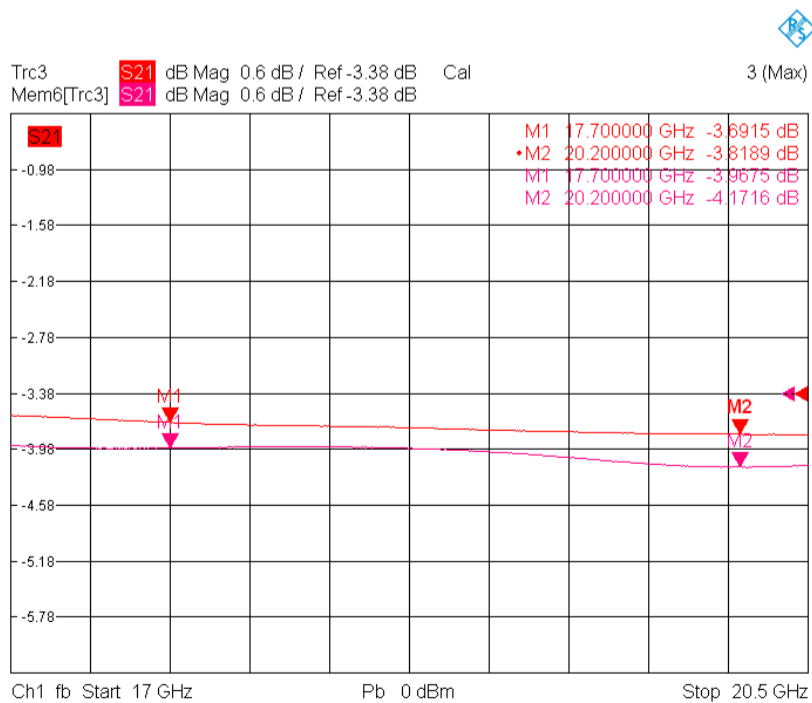
## Insertion Loss



## Isolator



## Amplitude Balance



## Phase Balance

