

Features

- Low Phase Balance 10dB
- Low Insertion Loss 0.8dB
- Low Amplitude Balance 1.0dB
- RoHS and REACH Compliant
- High Isolation 16dB

Electrical Specifications

Description	Units	Minimum	Typical	Maximum
Freq. Range	GHz	14		18
Phase Difference	deg		90	
Insertion Loss	dB			0.8
VSWR				1.5
Amplitude Balance	dB			1.0
Phase Balance	deg			10
Isolation	dB	16		
Input Power (CW)	W			30
Input Power (Peak)	KW			0.3
Impedance	Ohms		50	
Operating Temp.	°C	-45		+85

Special Requirements

Note

- Electronic Specification Note : Values at 25deg , sea level. Test indicators will deteriorate at high and low temperature ;
- Insertion Loss : Excludes Coupling loss insertion loss ;
- Relative Humidity 5 to 95% ;

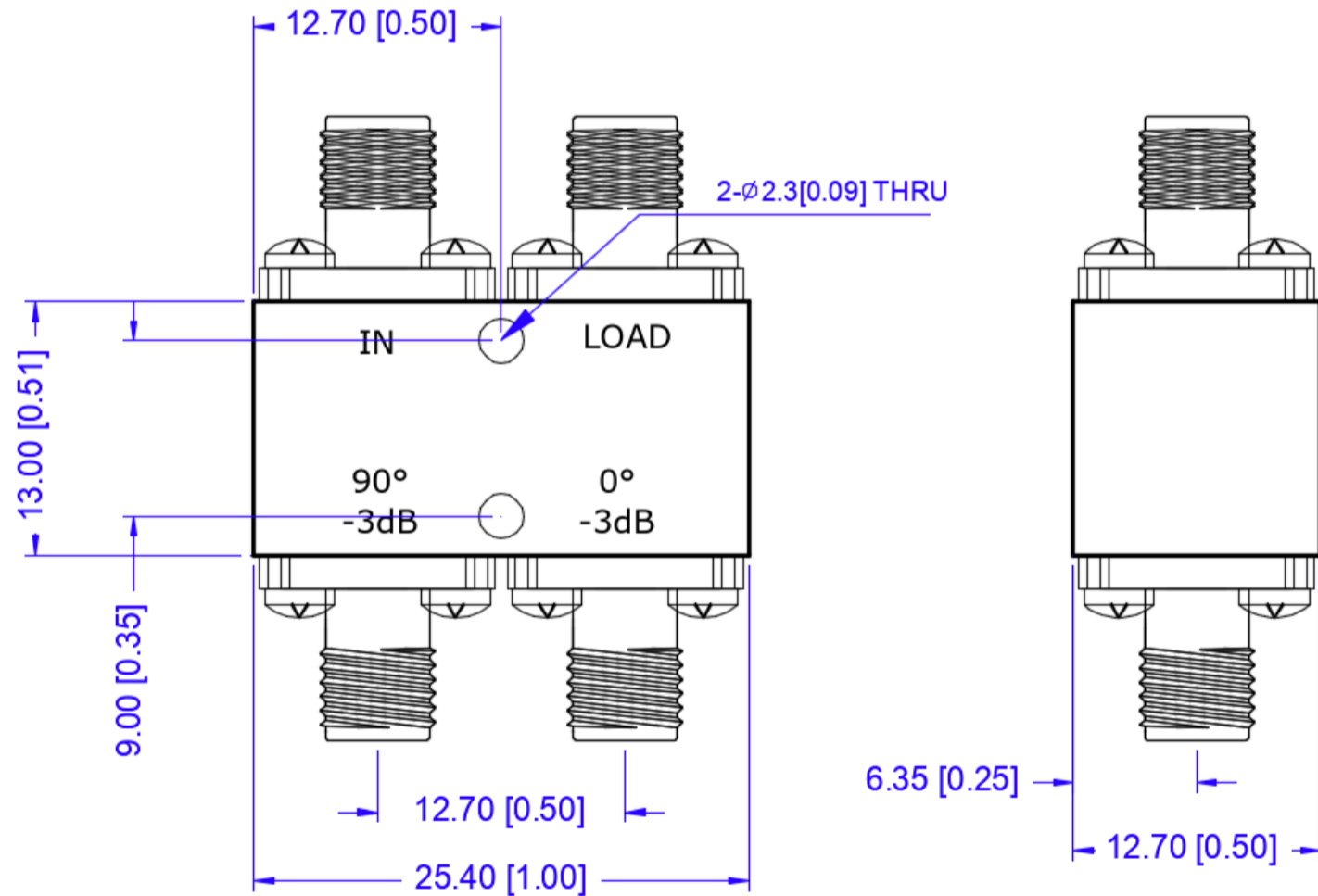
Mechanical Specifications

Dimension L*W*H	25.4*12.7*12.7 mm
Input Connector	SMA-Female Stainless Steel
Output Connectors	SMA-Female Stainless Steel
Weight	20 g
Finishing	[F8YL9F8]
Environment	Paint Black

Compliance Certifications

RoHS Compliant	Nominal
REACH Compliant	Nominal

CAD Drawing



Dimensions are in mm [Inches]
 Tolerances : Outline drawing: ±0.2 [0.008]
 Hole: ±0.2 [0.008]