

Features

- Low Phase Balance 10dB
- Low Insertion Loss 0.5dB
- Low Amplitude Balance 1.0dB
- RoHS and REACH Compliant
- High Isolation 18dB

Electrical Specifications

| Description | Units | Minimum | Typical | Maximum |
|--------------------|-------|---------|---------|---------|
| Freq. Range | GHz | 7 | | 9 |
| Phase Difference | deg | | 90 | |
| Insertion Loss | dB | | | 0.5 |
| VSWR | | | | 1.3 |
| Amplitude Balance | dB | | | 1.0 |
| Phase Balance | deg | | | 10 |
| Isolation | dB | 18 | | |
| Input Power (CW) | W | | | 50 |
| Input Power (Peak) | KW | | | - |
| Impedance | Ohms | | 50 | |
| Operating Temp. | °C | -40 | | +70 |

Special Requirements

Note

- Electronic Specification Note : Values at 25deg , sea level. Test indicators will deteriorate at high and low temperature ;
- Insertion Loss : Excludes Coupling loss insertion loss ;
- Relative Humidity 5 to 95% ;

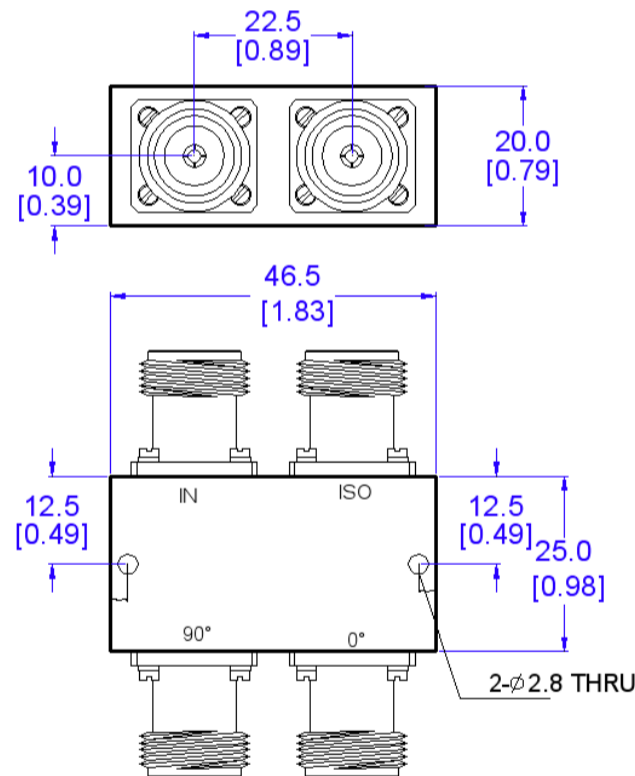
Mechanical Specifications

| | |
|-------------------|---------------------|
| Dimension L*W*H | -- mm |
| Input Connector | N-Female Ni Plating |
| Output Connectors | N-Female Ni Plating |
| Weight | TBD g |
| Finishing | [F8YL9F8] |
| Environment | |

Compliance Certifications

| | |
|-----------------|---------|
| RoHS Compliant | Nominal |
| REACH Compliant | Nominal |

CAD Drawing



Dimensions are in mm [Inches]
 Tolerances : Outline drawing: ±0.2 [0.008]
 Hole: ±0.2 [0.008]