

Features

- Low Phase Balance 8dB
- Low Insertion Loss 0.3dB
- Low Amplitude Balance 0.6dB
- RoHS and REACH Compliant
- High Isolation 20dB

Electrical Specifications

Description	Units	Minimum	Typical	Maximum
Freq. Range	GHz	3		4
Phase Difference	deg		90	
Insertion Loss	dB			0.3
VSWR				1.3
Amplitude Balance	dB			0.6
Phase Balance	deg			8
Isolation	dB	20		
Input Power (CW)	W			20
Input Power (Peak)	KW			3
Impedance	Ohms		50	
Operating Temp.	°C	-40		+70

Special Requirements

Note

- Electronic Specification Note : Values at 25deg , sea level. Test indicators will deteriorate at high and low temperature ;
- Insertion Loss : Excludes Coupling loss insertion loss ;
- Relative Humidity 5 to 95% ;

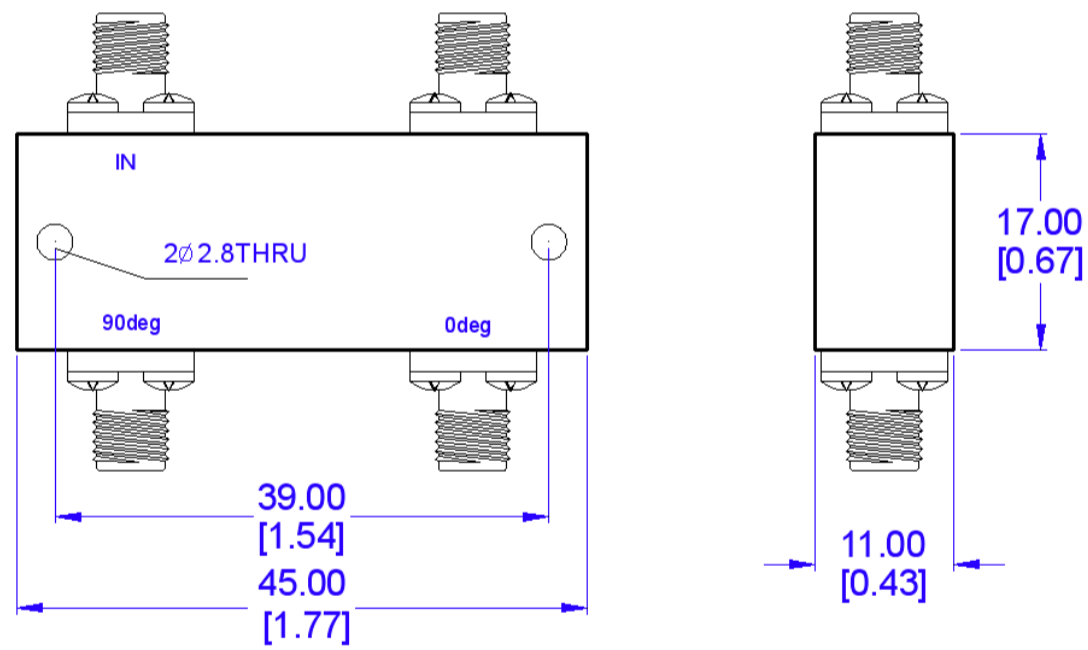
Mechanical Specifications

Dimension L*W*H	45*17*11 mm
Input Connector	SMA-Female
Output Connectors	SMA-Female
Weight	35 g
Finishing	[F8YL9F8]
Environment	

Compliance Certifications

RoHS Compliant	Nominal
REACH Compliant	Nominal

CAD Drawing



Dimensions are in mm [Inches]
 Tolerances : Outline drawing: ±0.2 [0.008]
 Hole: ±0.2 [0.008]