

## Features

- Low Phase Balance  $\pm 5$ dB
- Low Insertion Loss 0.3dB
- Low Amplitude Balance  $\pm 0.5$ dB
- RoHS and REACH Compliant
- High Isolation 20dB

## Electrical Specifications

Description	Units	Minimum	Typical	Maximum
Freq. Range	GHz	2		2.4
Phase Difference	deg		90	
Insertion Loss	dB			0.3
VSWR				1.25
Amplitude Balance	dB			$\pm 0.5$
Phase Balance	deg			$\pm 5$
Isolation	dB	20		
Input Power (CW)	W			100
Input Power (Peak)	KW			0.5
Impedance	Ohms		50	
Operating Temp.	$^{\circ}$ C	-40		+70

## Special Requirements

## Note

- Electronic Specification Note : Values at 25deg , sea level. Test indicators will deteriorate at high and low temperature ;
- Insertion Loss : Excludes Coupling loss insertion loss ;
- Relative Humidity 5 to 95% ;

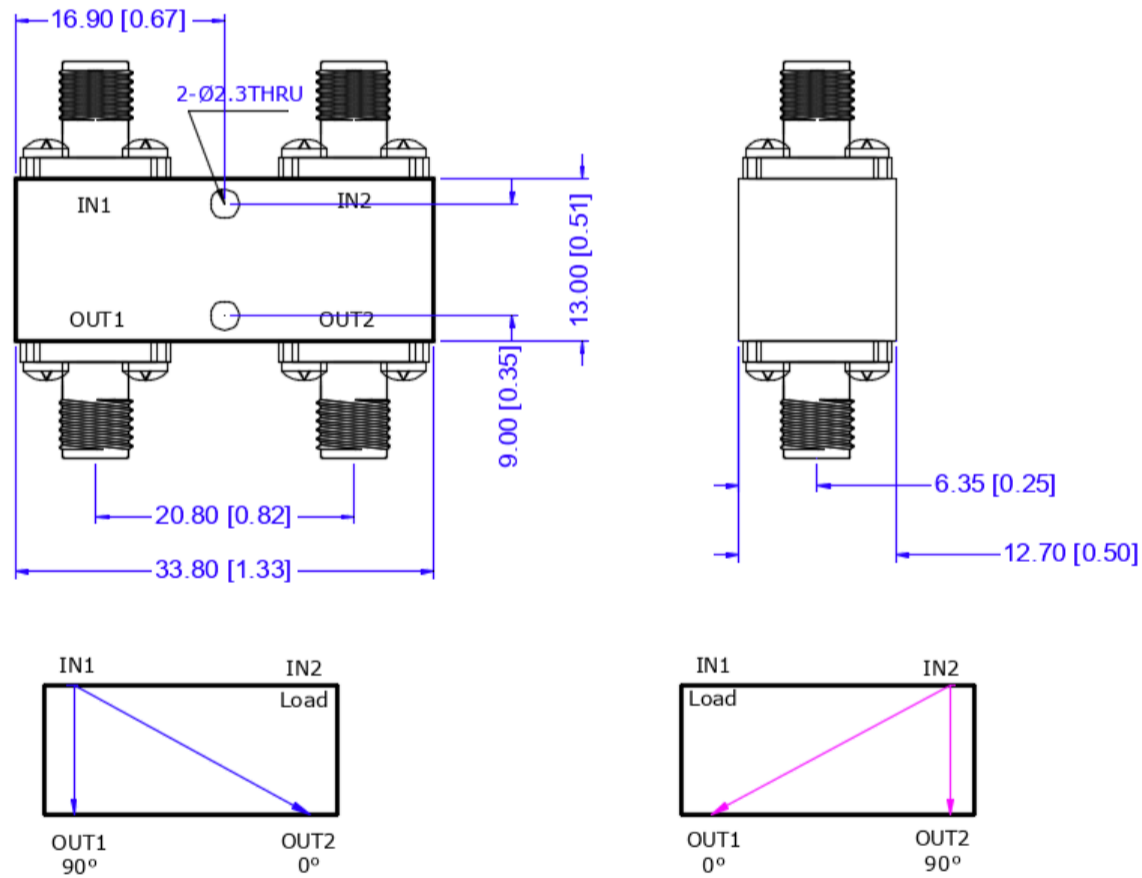
**Mechanical Specifications**

Dimension L*W*H	33.8*13*12.7 mm
Input Connector	SMA-Female Stainless Steel
Output Connectors	SMA-Female Stainless Steel
Weight	28 g
Finishing	[F8YL9F8]
Environment	Paint Black

**Compliance Certifications**

RoHS Compliant	Nominal
REACH Compliant	Nominal

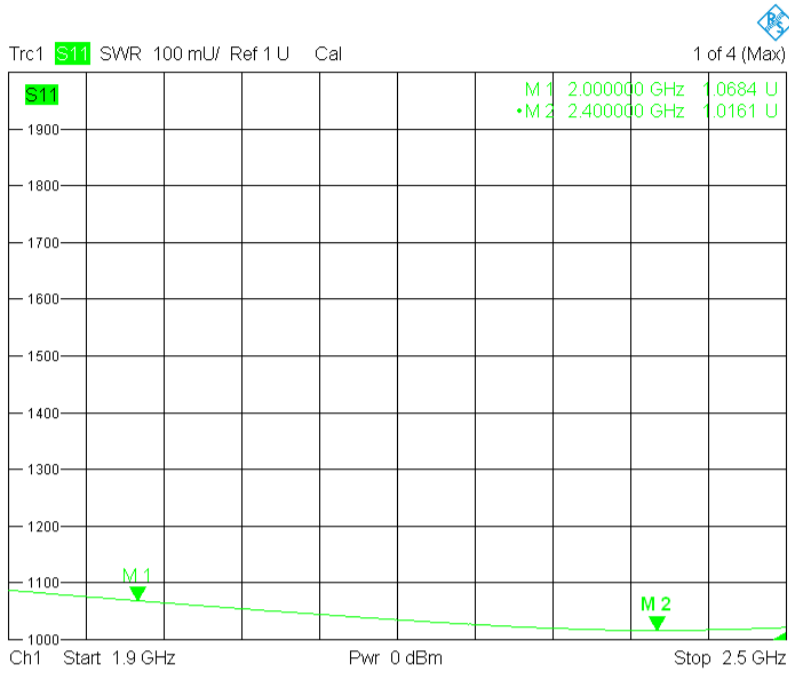
**CAD Drawing**



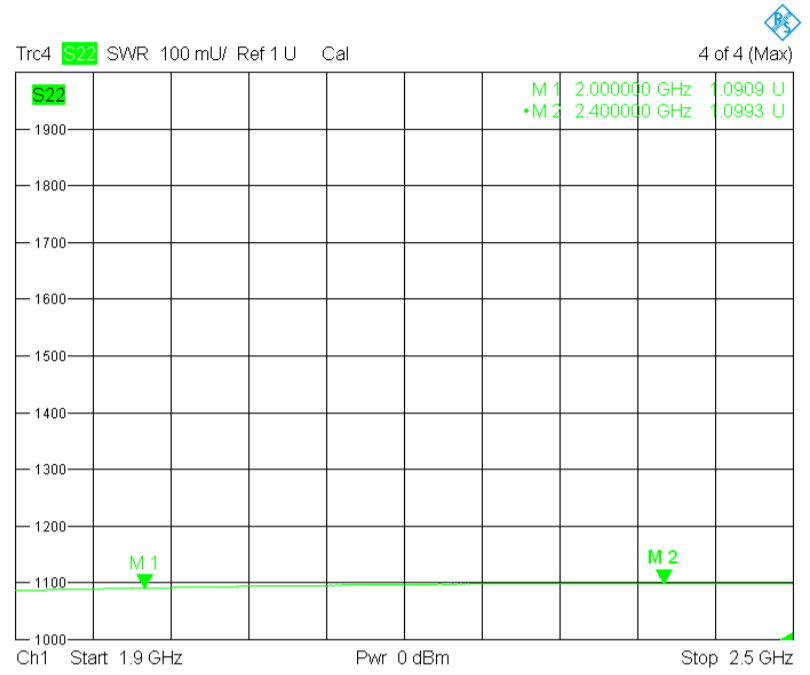
HC9-00001

Dimensions are in mm [Inches]  
Tolerances : Outline drawing: ±0.2 [0.008]  
Hole: ±0.2 [0.008]

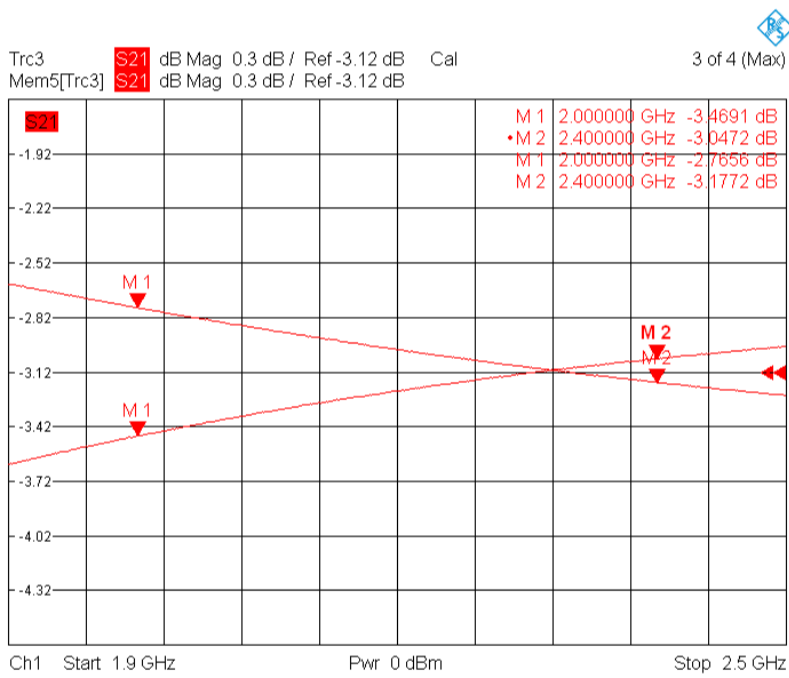
## Input Port VSWR



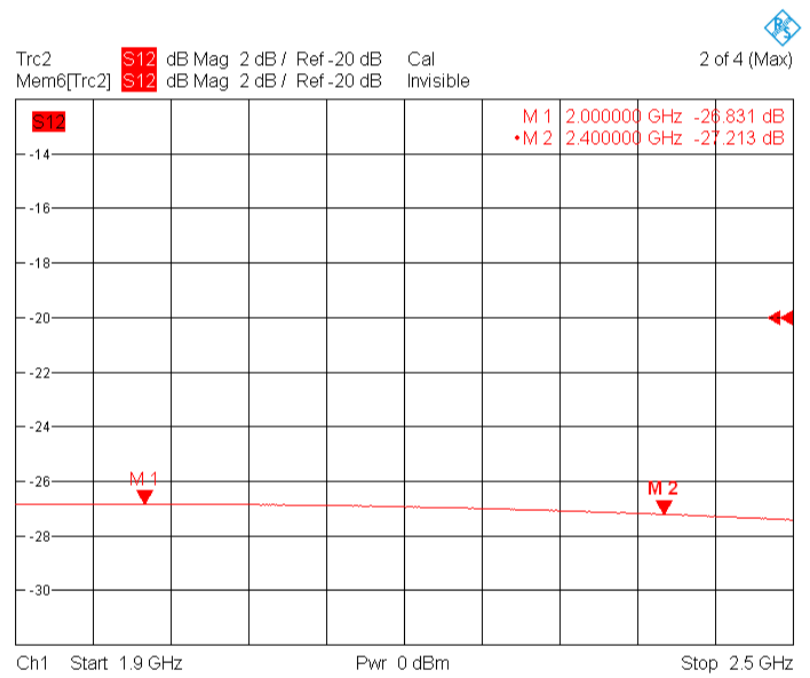
## Output Port VSWR



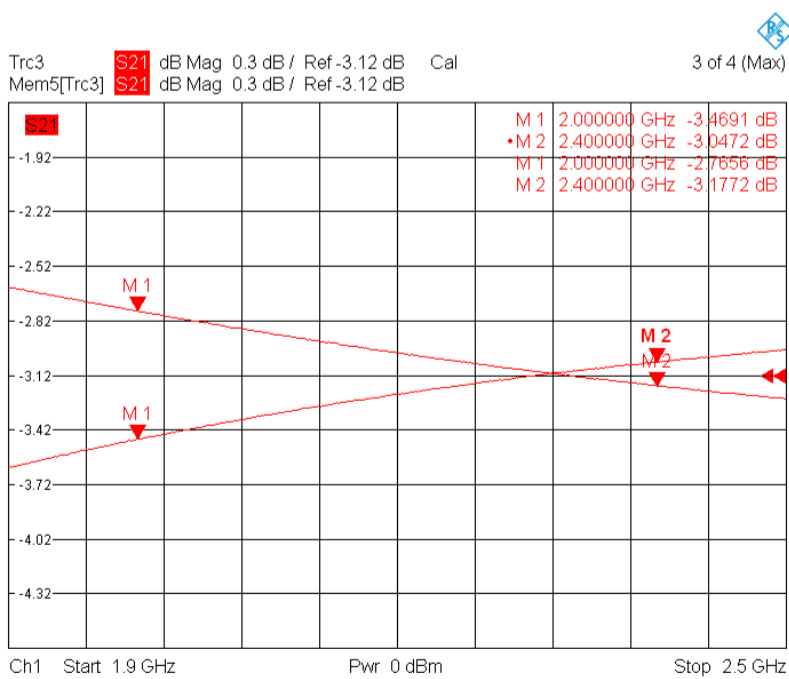
## Insertion Loss



## Isolator



## Amplitude Balance



## Phase Balance

