

Features

- Low Phase Balance 4dB
- Low Insertion Loss 0.2dB
- Low Amplitude Balance 0.7dB
- RoHS and REACH Compliant
- High Isolation 22dB

Electrical Specifications

Description	Units	Minimum	Typical	Maximum
Freq. Range	GHz	1.5		2.5
Phase Difference	deg		90	
Insertion Loss	dB			0.2
VSWR				1.2
Amplitude Balance	dB			0.7
Phase Balance	deg			4
Isolation	dB	22		
Input Power (CW)	W			50
Input Power (Peak)	KW			0.5
Impedance	Ohms		50	
Operating Temp.	°C	-40		+70

Special Requirements

Note

- Electronic Specification Note : Values at 25deg , sea level. Test indicators will deteriorate at high and low temperature ;
- Insertion Loss : Excludes Coupling loss insertion loss ;
- Relative Humidity 5 to 95% ;

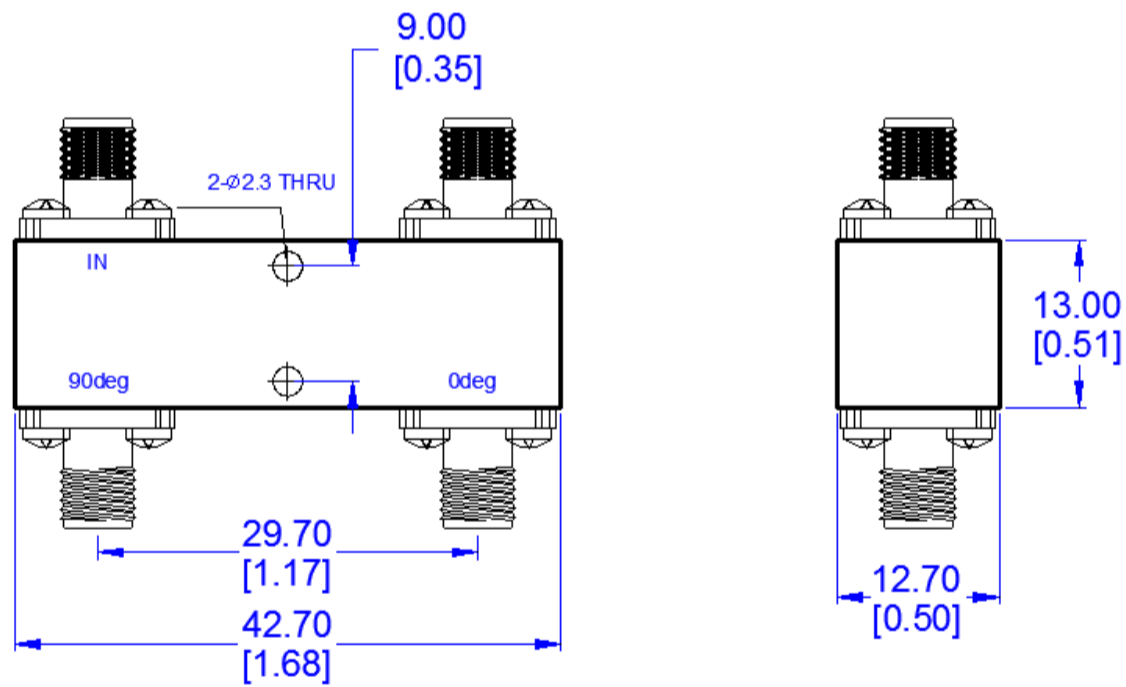
Mechanical Specifications

Dimension L*W*H	42.7*13*12.7 mm
Input Connector	SMA-Female
Output Connectors	SMA-Female
Weight	35 g
Finishing	[F8YL9F8]
Environment	+70

Compliance Certifications

RoHS Compliant	Nominal
REACH Compliant	Nominal

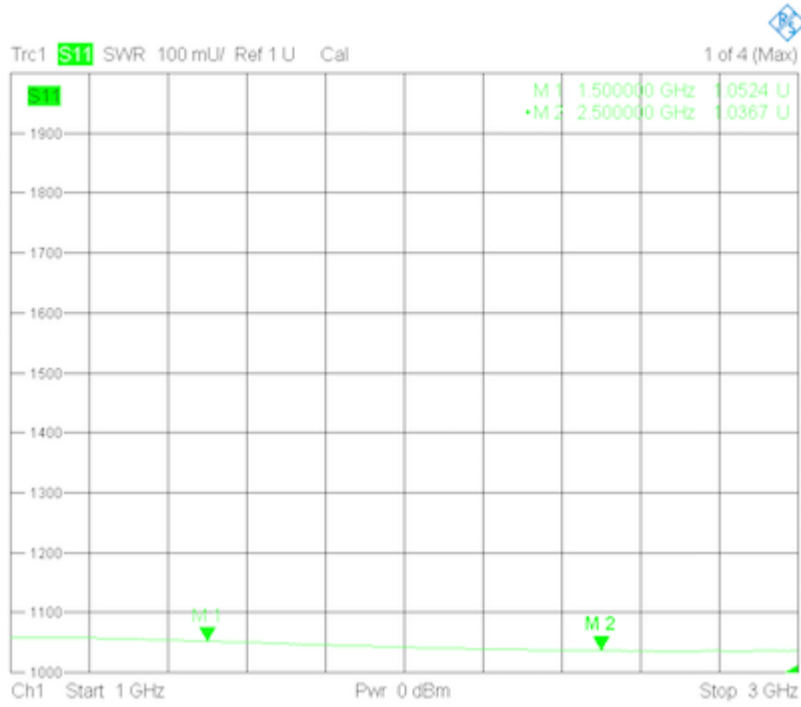
CAD Drawing



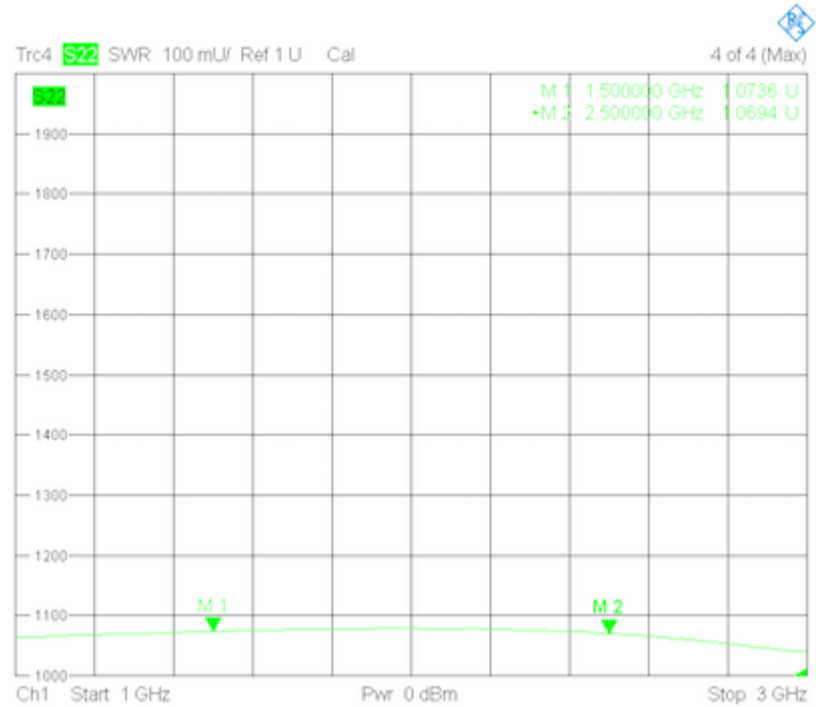
PHC90-008

Dimensions are in mm [Inches]
 Tolerances : Outline drawing: ±0.2 [0.008]
 Hole: ±0.2 [0.008]

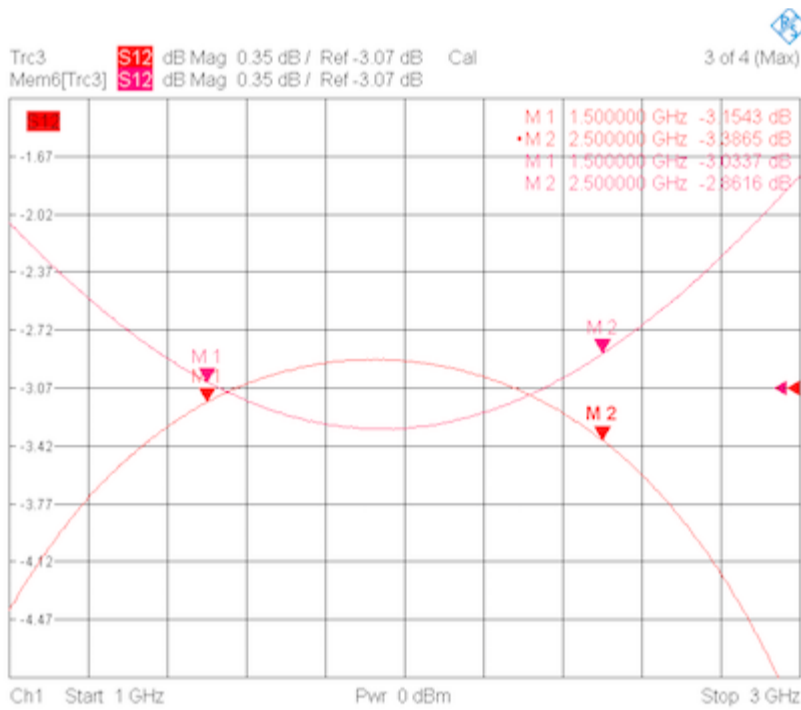
Input Port VSWR



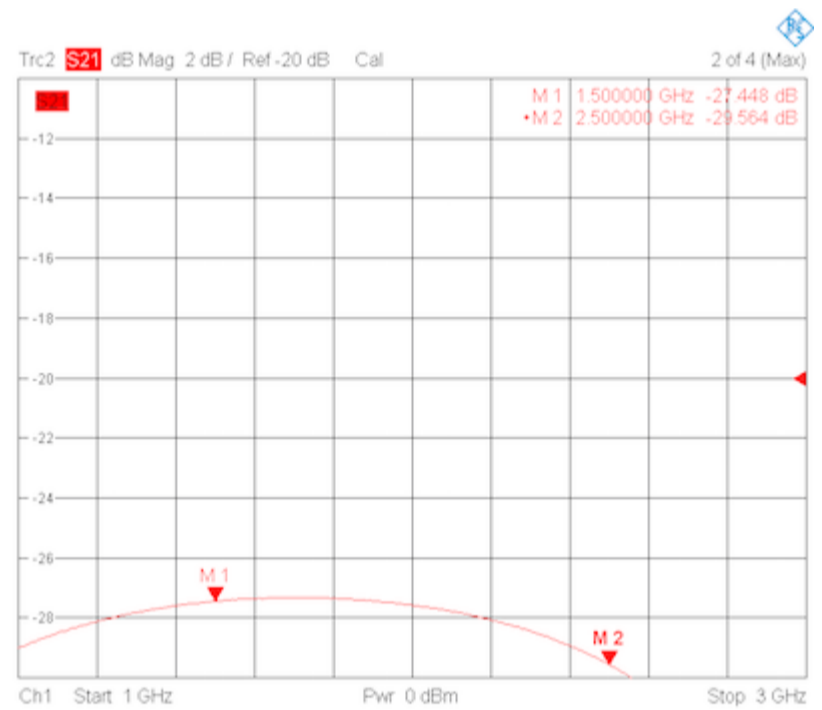
Output Port VSWR



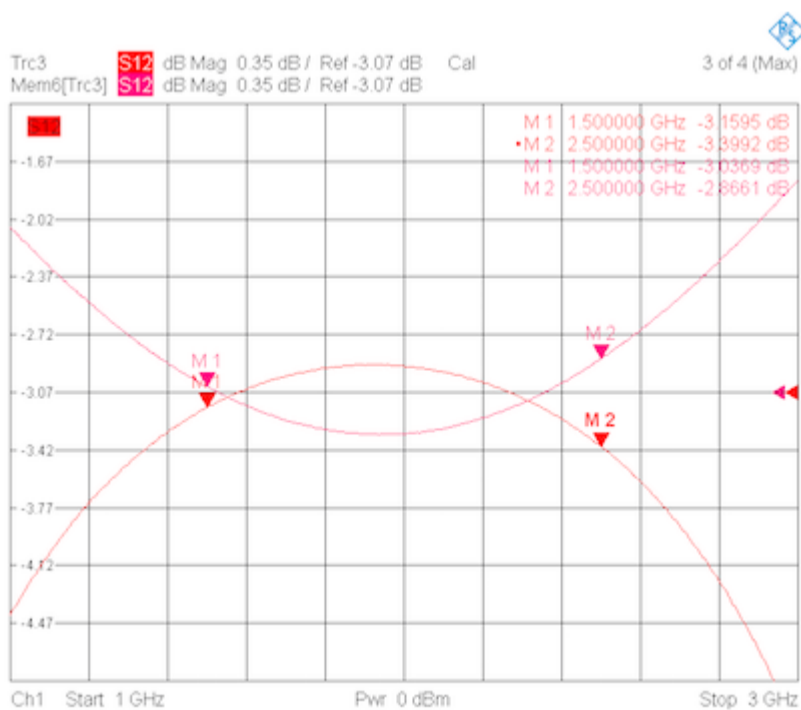
Insertion Loss



Isolator



Amplitude Balance



Phase Balance

