

## Features

- Low Phase Balance 4dB
- Low Insertion Loss 0.3dB
- Low Amplitude Balance 1.0dB
- RoHS and REACH Compliant
- High Isolation 25dB

## Electrical Specifications

Description	Units	Minimum	Typical	Maximum
Freq. Range	GHz	1.15		1.25
Phase Difference	deg		90	
Insertion Loss	dB			0.3
VSWR				1.2
Amplitude Balance	dB			1.0
Phase Balance	deg			4
Isolation	dB	25		
Input Power (CW)	W			50
Input Power (Peak)	KW			0.5
Impedance	Ohms		50	
Operating Temp.	°C	-40		+85

## Special Requirements

## Note

- Electronic Specification Note : Values at 25deg , sea level. Test indicators will deteriorate at high and low temperature ;
- Insertion Loss : Excludes Coupling loss insertion loss ;
- Relative Humidity 5 to 95% ;

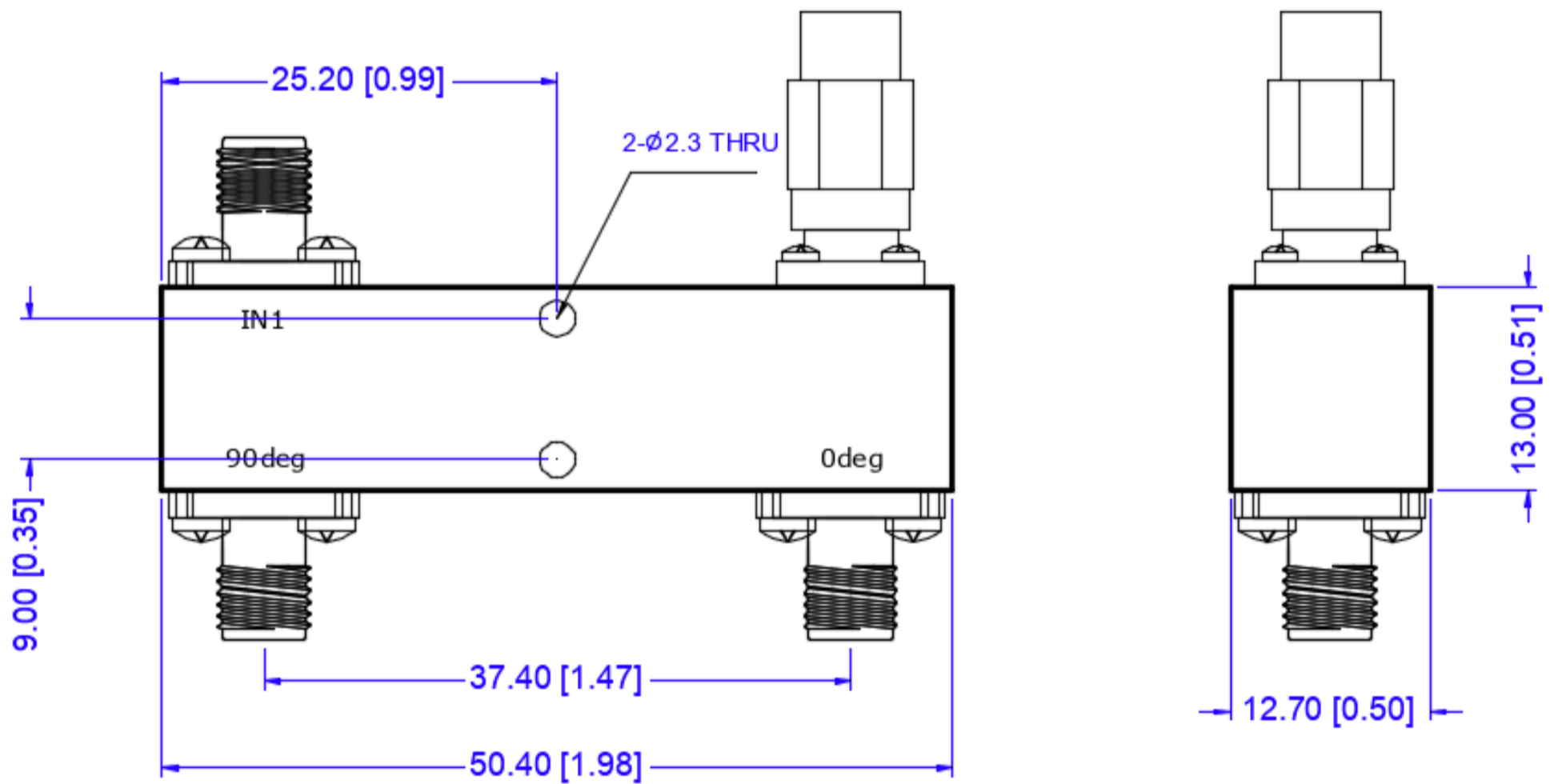
**Mechanical Specifications**

Dimension L*W*H	50.4*13*12.7 mm
Input Connector	SMA-Female Stainless Steel
Output Connectors	SMA-Female Stainless Steel
Weight	40 g
Finishing	[F8YL9F8]
Environment	Paint Black

**Compliance Certifications**

RoHS Compliant	Nominal
REACH Compliant	Nominal

**CAD Drawing**



Dimensions are in mm [Inches]  
 Tolerances : Outline drawing: ±0.2 [0.008]  
 Hole: ±0.2 [0.008]