

## Features

- Low Phase Balance 16dB
- Low Insertion Loss 1.8dB
- Low Amplitude Balance 1.4dB
- RoHS and REACH Compliant
- High Isolation 18dB

## Electrical Specifications

Description	Units	Minimum	Typical	Maximum
Freq. Range	GHz	10		20
Phase Difference	deg		180	
Insertion Loss	dB			1.8
VSWR				1.6
Amplitude Balance	dB			1.4
Phase Balance	deg			16
Isolation	dB	18		
Input Power (CW)	W			20
Input Power (Peak)	KW			0.5
Impedance	Ohms		50	
Operating Temp.	°C	-40		+70

## Special Requirements

## Note

- Electronic Specification Note : Values at 25deg , sea level. Test indicators will deteriorate at high and low temperature ;
- Insertion Loss : Excludes Coupling loss insertion loss ;
- Relative Humidity 5 to 95% ;

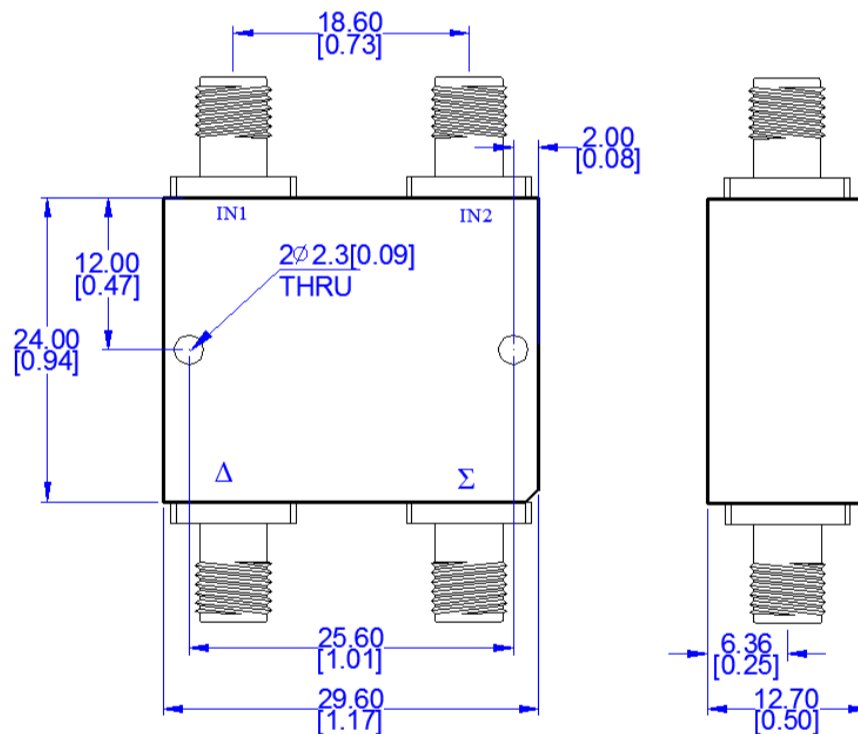
**Mechanical Specifications**

Dimension L*W*H	29.6*24*12.7 mm
Input Connector	SMA-Female
Output Connectors	SMA-Female
Weight	TBD g
Finishing	[F8YL9F8]
Environment	

**Compliance Certifications**

RoHS Compliant	Nominal
REACH Compliant	Nominal

**CAD Drawing**



Dimensions are in mm [Inches]  
 Tolerances : Outline drawing: ±0.2 [0.008]  
 Hole: ±0.2 [0.008]