

## Features

- Low Phase Balance  $\pm 7$ dB
- Low Insertion Loss 0.5dB
- Low Amplitude Balance  $\pm 0.4$ dB
- RoHS and REACH Compliant
- High Isolation 20dB

## Electrical Specifications

Description	Units	Minimum	Typical	Maximum
Freq. Range	GHz	2.2		2.7
Phase Difference	deg		180	
Insertion Loss	dB			0.5
VSWR				1.3
Amplitude Balance	dB			$\pm 0.4$
Phase Balance	deg			$\pm 7$
Isolation	dB	20		
Input Power (CW)	W			50
Input Power (Peak)	KW			0.5
Impedance	Ohms		50	
Operating Temp.	$^{\circ}$ C	-40		+70

## Special Requirements

## Note

- Electronic Specification Note : Values at 25deg , sea level. Test indicators will deteriorate at high and low temperature ;
- Insertion Loss : Excludes Coupling loss insertion loss ;
- Relative Humidity 5 to 95% ;

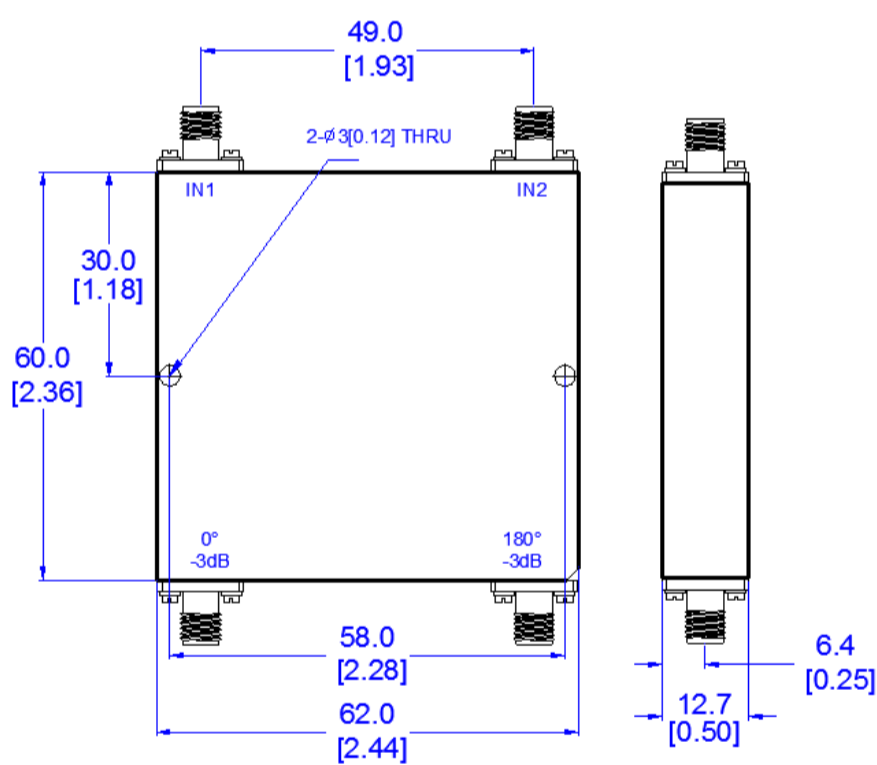
### Mechanical Specifications

Dimension L*W*H	60*62*12.7 mm
Input Connector	SMA-Female Stainless Steel
Output Connectors	SMA-Female Stainless Steel
Weight	135 g
Finishing	[F8YL9F8]
Environment	Paint Black

### Compliance Certifications

RoHS Compliant	Nominal
REACH Compliant	Nominal

### CAD Drawing



PHC180-006

Dimensions are in mm [Inches]  
 Tolerances : Outline drawing: ±0.2 [0.008]  
 Hole: ±0.2 [0.008]