

Features

- Low Phase Balance 10dB
- Low Insertion Loss 0.5dB
- Low Amplitude Balance 1.0dB
- RoHS and REACH Compliant
- High Isolation 20dB

Electrical Specifications

Description	Units	Minimum	Typical	Maximum
Freq. Range	GHz	1.4		1.9
Phase Difference	deg		180	
Insertion Loss	dB			0.5
VSWR				1.3
Amplitude Balance	dB			1.0
Phase Balance	deg			10
Isolation	dB	20		
Input Power (CW)	W			30
Input Power (Peak)	KW			0.5
Impedance	Ohms		50	
Operating Temp.	°C	-40		+70

Special Requirements

Note

- Electronic Specification Note : Values at 25deg , sea level. Test indicators will deteriorate at high and low temperature ;
- Insertion Loss : Excludes Coupling loss insertion loss ;
- Relative Humidity 5 to 95% ;

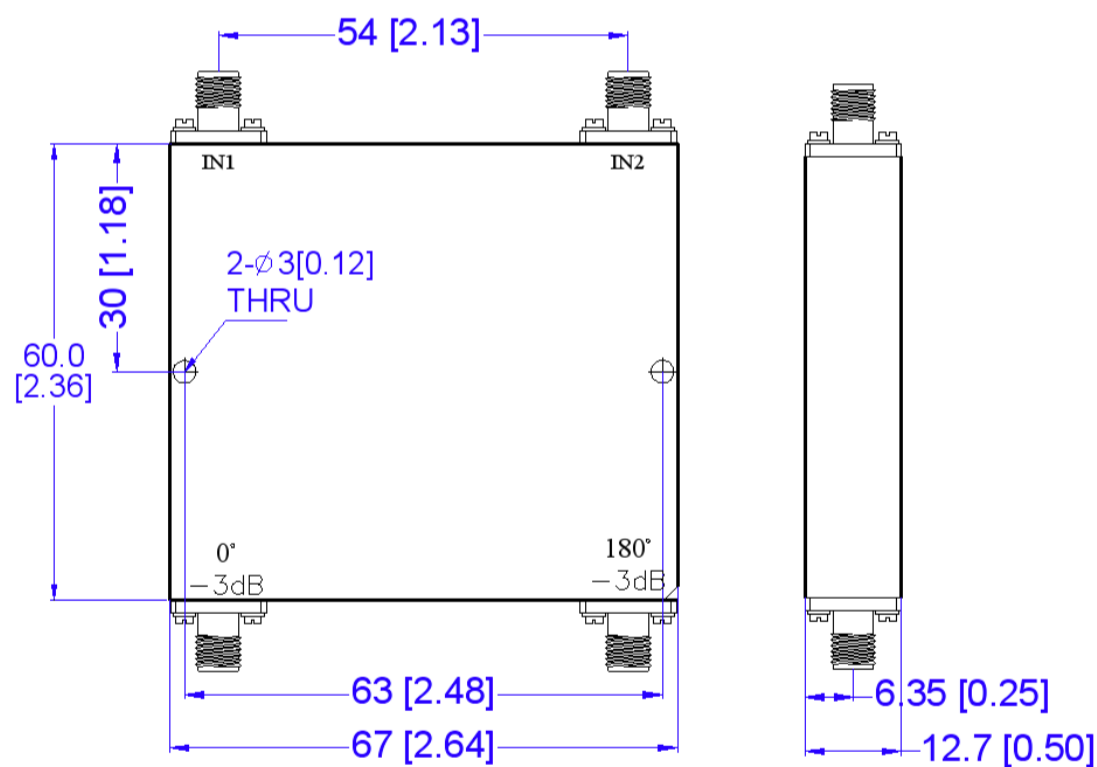
Mechanical Specifications

Dimension L*W*H	67*60*12.7 mm
Input Connector	SMA-Female
Output Connectors	SMA-Female
Weight	140 g
Finishing	[F8YL9F8]
Environment	

Compliance Certifications

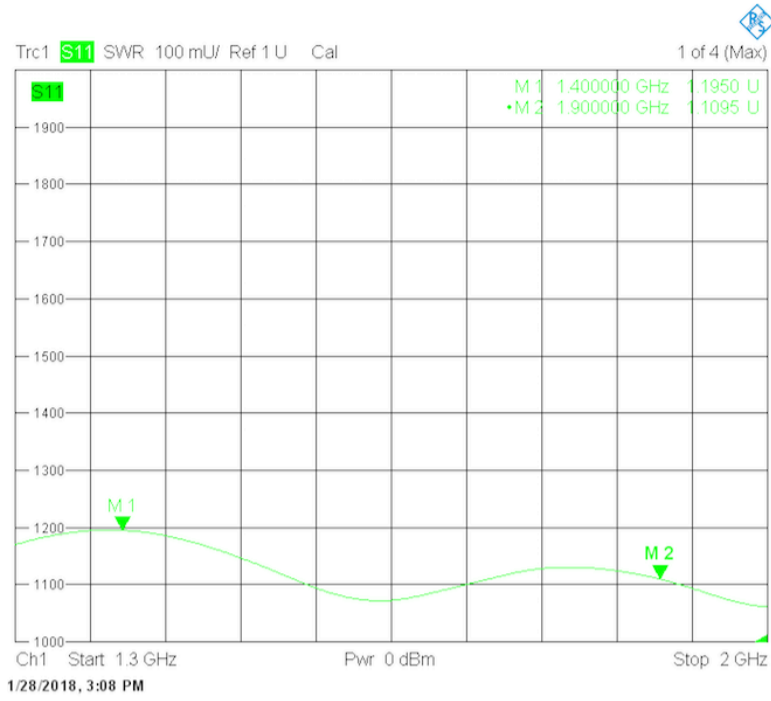
RoHS Compliant	Nominal
REACH Compliant	Nominal

CAD Drawing

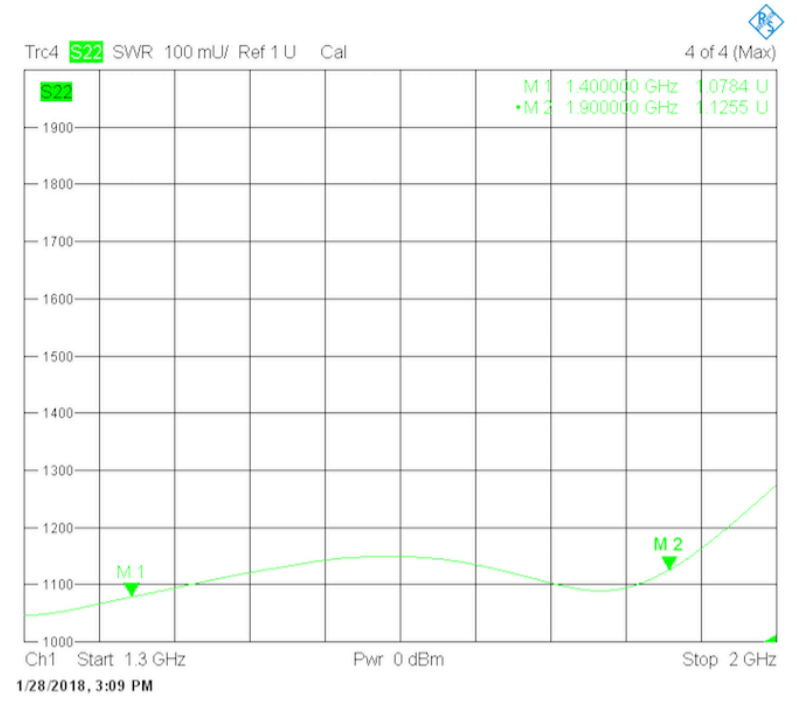


Dimensions are in mm [Inches]
Tolerances : Outline drawing: ±0.2 [0.008]
Hole: ±0.2 [0.008]

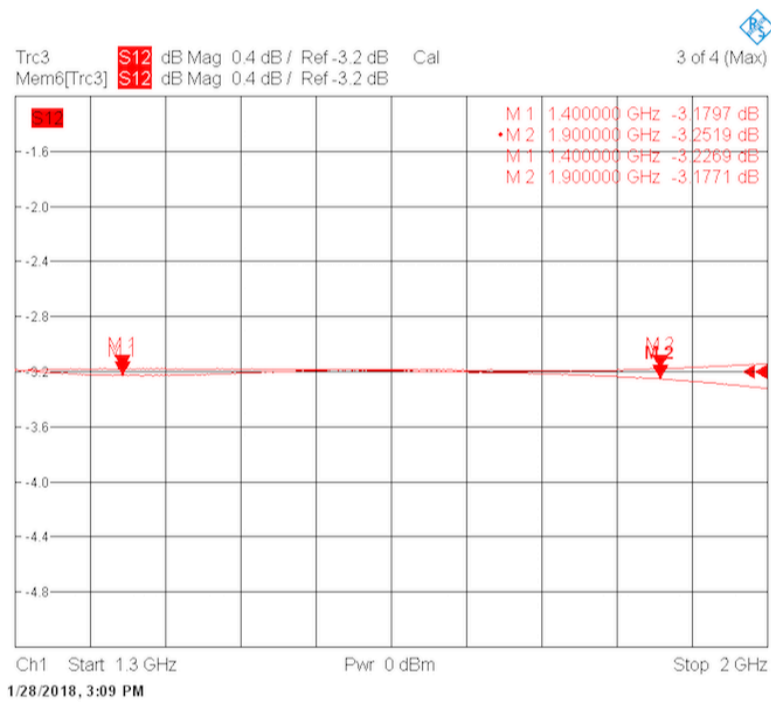
Input Port VSWR



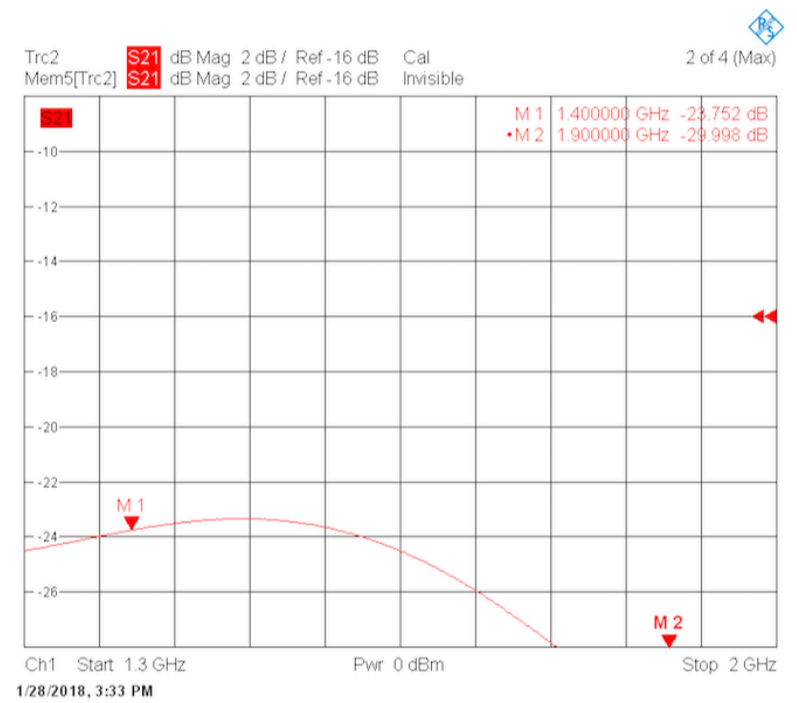
Output Port VSWR



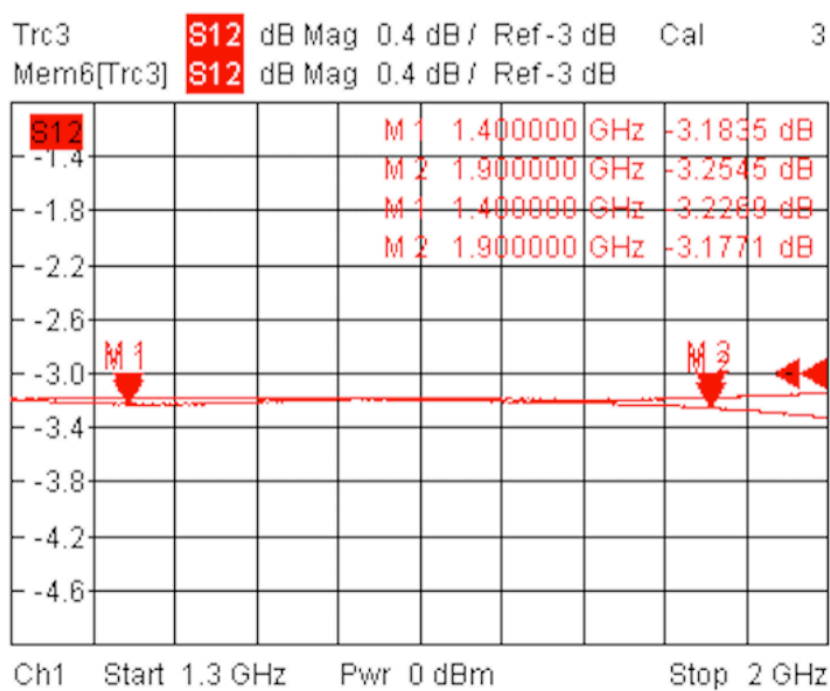
Insertion Loss



Isolator



Amplitude Balance



Phase Balance

