

## Features

- Low Phase Balance 10dB
- Low Insertion Loss 0.3dB
- Low Amplitude Balance 0.8dB
- RoHS and REACH Compliant
- High Isolation 20dB

## Electrical Specifications

Description	Units	Minimum	Typical	Maximum
Freq. Range	GHz	1		1.5
Phase Difference	deg		180	
Insertion Loss	dB			0.3
VSWR				1.2
Amplitude Balance	dB			0.8
Phase Balance	deg			10
Isolation	dB	20		
Input Power (CW)	W			-
Input Power (Peak)	KW			2
Impedance	Ohms		50	
Operating Temp.	°C	-40		+70

## Special Requirements

Peak Power : 2000W @ duty cycle 6.4% and Pulse Width 10us

## Note

- Electronic Specification Note : Values at 25deg , sea level. Test indicators will deteriorate at high and low temperature ;
- Insertion Loss : Excludes Coupling loss insertion loss ;
- Relative Humidity 5 to 95% ;

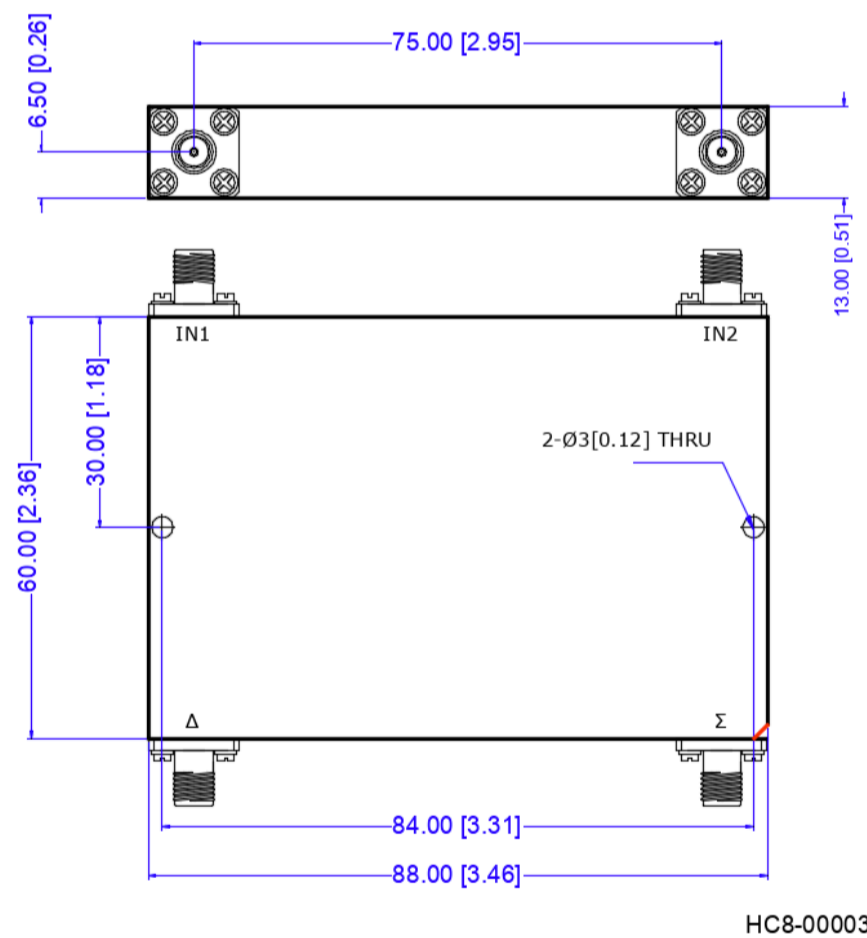
### Mechanical Specifications

Dimension L*W*H	88*60*13 mm
Input Connector	SMA-Female Stainless Steel
Output Connectors	SMA-Female Stainless Steel
Weight	TBD g
Finishing	[F8YL9F8]
Environment	Paint Black

### Compliance Certifications

RoHS Compliant	Nominal
REACH Compliant	Nominal

### CAD Drawing



Dimensions are in mm [Inches]  
Tolerances : Outline drawing: ±0.2 [0.008]  
Hole: ±0.2 [0.008]