

Features

- Nominal Coupling 60dB
- Low Coupling Balance ± 2 dB
- Low Insertion Loss 0.4dB
- RoHS and REACH Compliant
- High Directivity 5dB

Electrical Specifications

Description	Units	Minimum	Typical	Maximum
Freq. Range	GHz	9.3		9.5
Nominal Coupling	dB		60	
Coupling Balance	dB		± 2	
Insertion Loss (True)	dB			0.4
Freq. Flatness	dB			0.7
Main Line VSWR				1.5
Secondary Line VSWR				1.5
Directivity	dB	5		
Input Power (CW)	W			100
Input Power (Peak)	KW			1
Impedance	Ohms		50	
Operating Temp.	°C	-45		+85

Special Requirements

Note

- Electronic Specification Note : Values at 25deg , sea level. Test indicators will deteriorate at high and low temperature ;
- Insertion Loss Including Nominal Coupling Loss - dB. ;
- Relative Humidity 5 to 95% ;

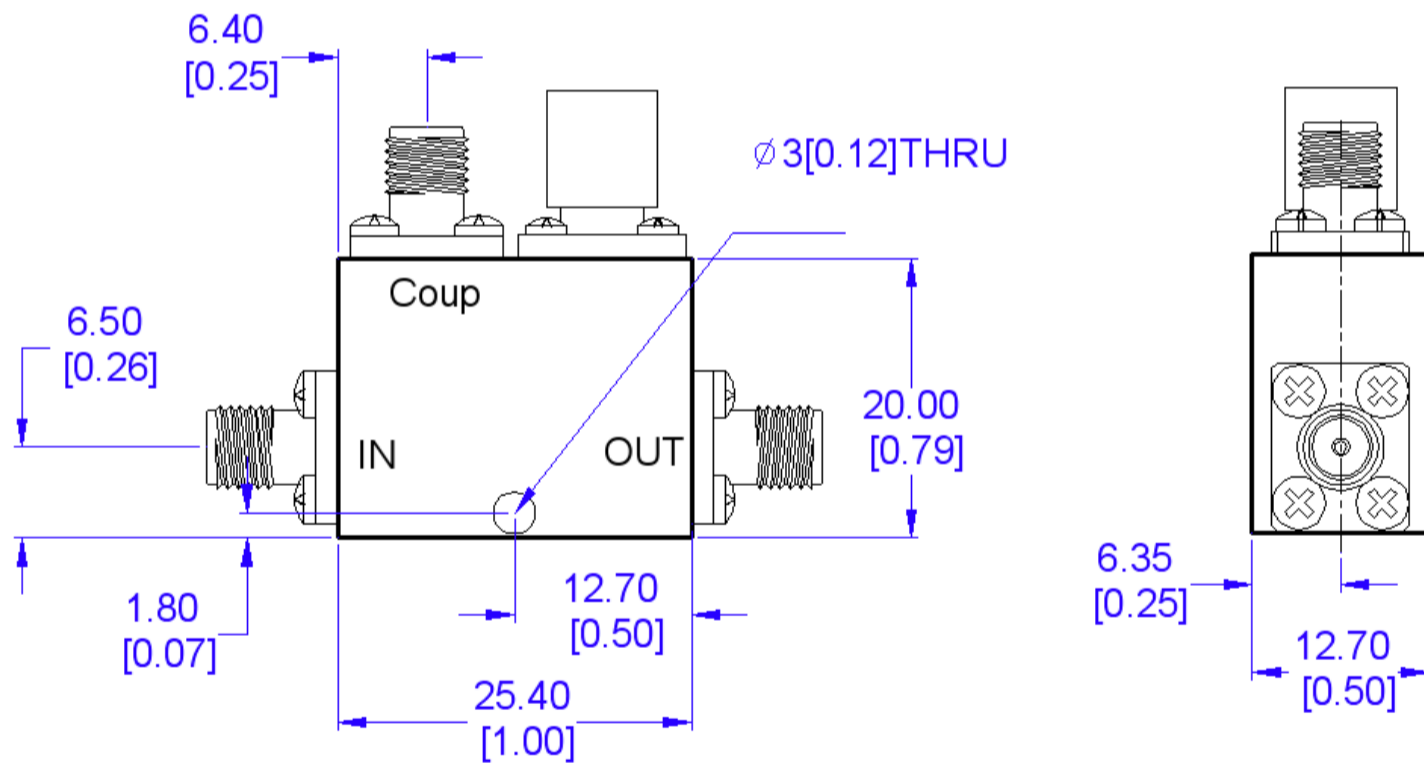
Mechanical Specifications

Dimension L*W*H	25.4*20*12.7 mm
Input Connector	SMA-Female Stainless Steel
Output Connectors	SMA-Female Stainless Steel
Weight	TBD g
Finishing	Paint Black
Environment	Nominal

Compliance Certifications

RoHS Compliant	✓
REACH Compliant	✓

CAD Drawing



Dimensions are in mm [Inches]
 Tolerances : Outline drawing: $\pm 0.2 [0.008]$
 Hole: $\pm 0.2 [0.008]$