

Features

- Nominal Coupling 50dB
- Low Coupling Balance ± 2 dB
- Low Insertion Loss 0.7dB
- RoHS and REACH Compliant
- High Directivity 10dB

Electrical Specifications

Description	Units	Minimum	Typical	Maximum
Freq. Range	GHz	5.4		5.9
Nominal Coupling	dB		50	
Coupling Balance	dB		± 2	
Insertion Loss (True)	dB			0.7
Freq. Flatness	dB			0.6
Main Line VSWR				1.5
Secondary Line VSWR				1.5
Directivity	dB	10		
Input Power (CW)	W			150
Input Power (Peak)	KW			2
Impedance	Ohms		50	
Operating Temp.	$^{\circ}$ C	-20		+50

Special Requirements

Peak Power : 1300 W ; Pulse width : 100 μ s ; Duty cycle : 10%

Note

- Electronic Specification Note : Values at 25deg , sea level. Test indicators will deteriorate at high and low temperature ;
- Insertion Loss Including Nominal Coupling Loss - dB. ;
- Relative Humidity 5 to 95% ;

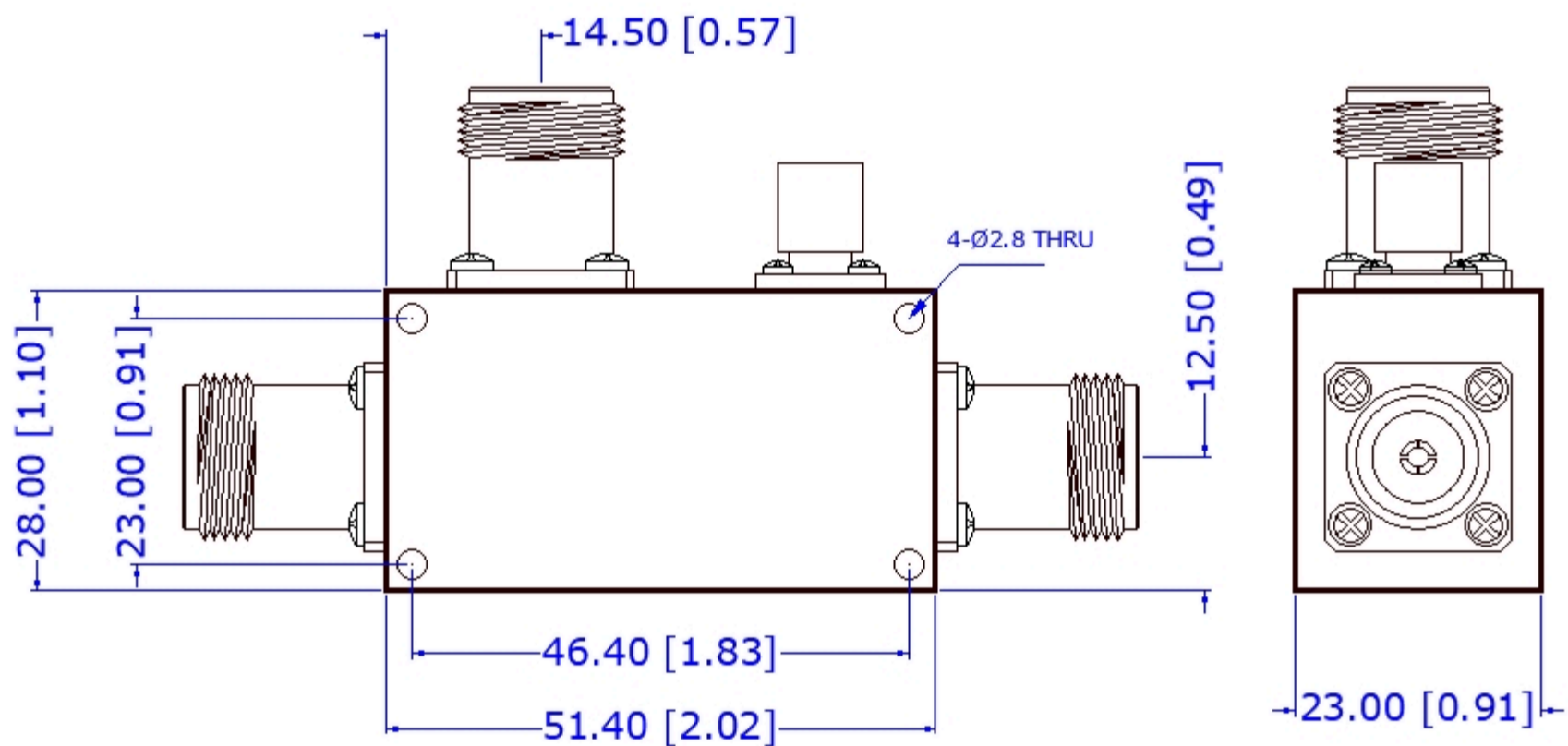
Mechanical Specifications

Dimension L*W*H	51.4*28*23 mm
Input Connector	N-Female Stainless Steel
Output Connectors	N-Female Stainless Steel
Weight	TBD g
Finishing	Paint Black
Environment	Nominal

Compliance Certifications

RoHS Compliant	✓
REACH Compliant	✓

CAD Drawing



Dimensions are in mm [Inches]
 Tolerances : Outline drawing: ±0.2 [0.008]
 Hole: ±0.2 [0.008]