

## Features

- Nominal Coupling 30dB
- Low Coupling Balance  $\pm 2$ dB
- Low Insertion Loss 0.5dB
- RoHS and REACH Compliant
- High Directivity 20dB

## Electrical Specifications

Description	Units	Minimum	Typical	Maximum
Freq. Range	GHz	0.1		0.5
Nominal Coupling	dB		30	
Coupling Balance	dB	$\pm 1$	$\pm 2$	
Insertion Loss (True)	dB			0.5
Freq. Flatness	dB			3.0
Main Line VSWR				1.2
Secondary Line VSWR				1.2
Directivity	dB	20	22	
Input Power (CW)	W			50
Input Power (Peak)	KW			1
Impedance	Ohms		50	
Operating Temp.	°C	-45		+85

## Special Requirements

## Note

- Electronic Specification Note : Values at 25deg , sea level. Test indicators will deteriorate at high and low temperature ;
- Insertion Loss Including Nominal Coupling Loss 0.004 dB. ;
- Relative Humidity 5 to 95% ;

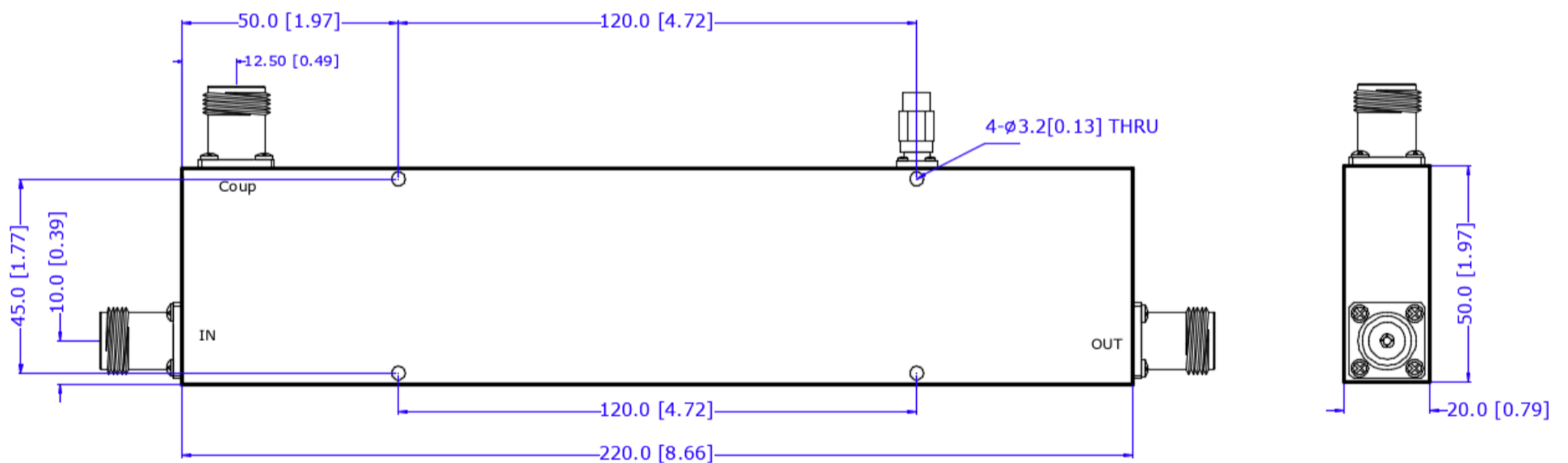
## Mechanical Specifications

Dimension L*W*H	220*50*20 mm
Input Connector	N-Female Ni Plating
Output Connectors	N-Female Ni Plating
Weight	TBD g
Finishing	Paint Black
Environment	Nominal

## Compliance Certifications

RoHS Compliant	✓
REACH Compliant	✓

## CAD Drawing



Dimensions are in mm [Inches]  
 Tolerances : Outline drawing:  $\pm 0.2$  [0.008]  
 Hole:  $\pm 0.2$  [0.008]