

## Features

- Nominal Coupling 20dB
- Low Coupling Balance  $\pm 0.5$ dB
- Low Insertion Loss 0.8dB
- RoHS and REACH Compliant
- High Directivity 14dB

## Electrical Specifications

Description	Units	Minimum	Typical	Maximum
Freq. Range	GHz	26		27
Nominal Coupling	dB		20	
Coupling Balance	dB		$\pm 0.5$	
Insertion Loss (True)	dB			0.8
Freq. Flatness	dB			1
Main Line VSWR				1.4
Secondary Line VSWR				1.4
Directivity	dB	14		
Input Power (CW)	W			20
Input Power (Peak)	KW			3
Impedance	Ohms		50	
Operating Temp.	°C	-45		+85

## Special Requirements

## Note

- Electronic Specification Note : Values at 25deg , sea level. Test indicators will deteriorate at high and low temperature ;
- Insertion Loss Including Nominal Coupling Loss 0.04 dB. ;
- Relative Humidity 5 to 95% ;

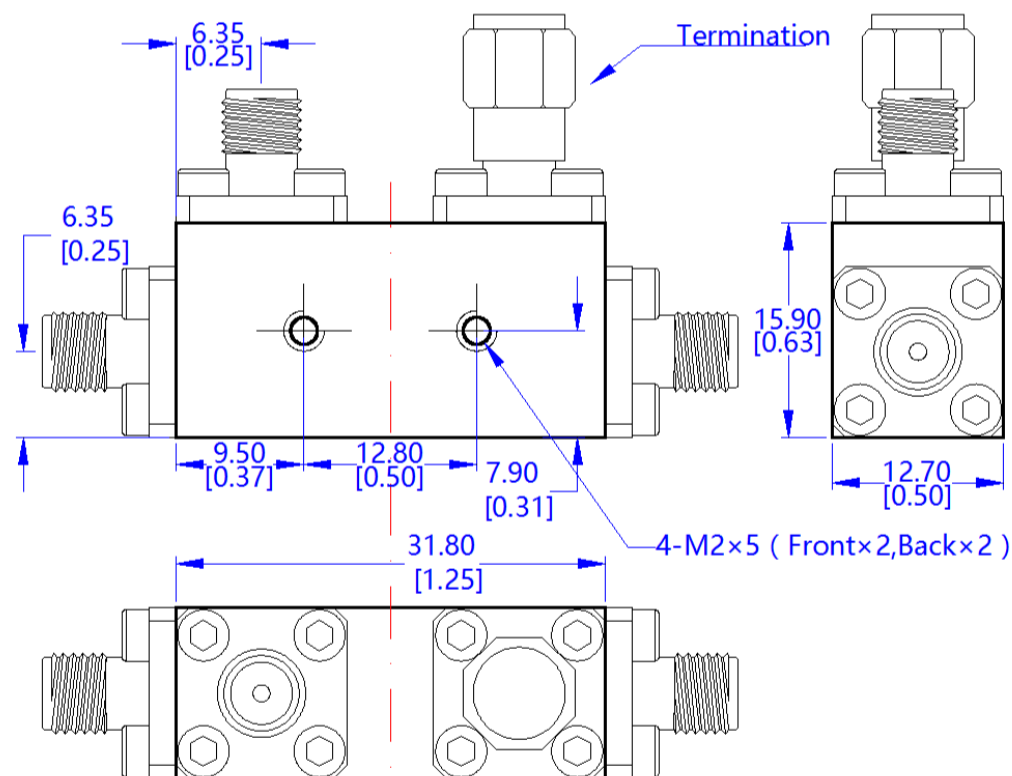
### Mechanical Specifications

Dimension L*W*H	31.8*15.9*12.7 mm
Input Connector	SMA-Female Stainless Steel
Output Connectors	SMA-Female Stainless Steel
Weight	45 g
Finishing	Paint Black
Environment	Nominal

### Compliance Certifications

RoHS Compliant	✓
REACH Compliant	✓

### CAD Drawing



Dimensions are in mm [Inches]  
 Tolerances : Outline drawing: ±0.2 [0.008]  
 Hole: ±0.2 [0.008]