

Features

- Nominal Coupling 20dB
- Low Coupling Balance ± 1 dB
- Low Insertion Loss 0.6dB
- RoHS and REACH Compliant
- High Directivity 12dB

Electrical Specifications

| Description | Units | Minimum | Typical | Maximum |
|-----------------------|--------------|---------|---------|---------|
| Freq. Range | GHz | 12 | | 18 |
| Nominal Coupling | dB | | 20 | |
| Coupling Balance | dB | | ± 1 | |
| Insertion Loss (True) | dB | | | 0.6 |
| Freq. Flatness | dB | | | 1.0 |
| Main Line VSWR | | | | 1.5 |
| Secondary Line VSWR | | | | 1.5 |
| Directivity | dB | 12 | 15 | |
| Input Power (CW) | W | | | 50 |
| Input Power (Peak) | KW | | | 1 |
| Impedance | Ohms | | 50 | |
| Operating Temp. | $^{\circ}$ C | -45 | | +85 |

Special Requirements

Note

- Electronic Specification Note : Values at 25deg , sea level. Test indicators will deteriorate at high and low temperature ;
- Insertion Loss Including Nominal Coupling Loss 0.04 dB. ;
- Relative Humidity 5 to 95% ;

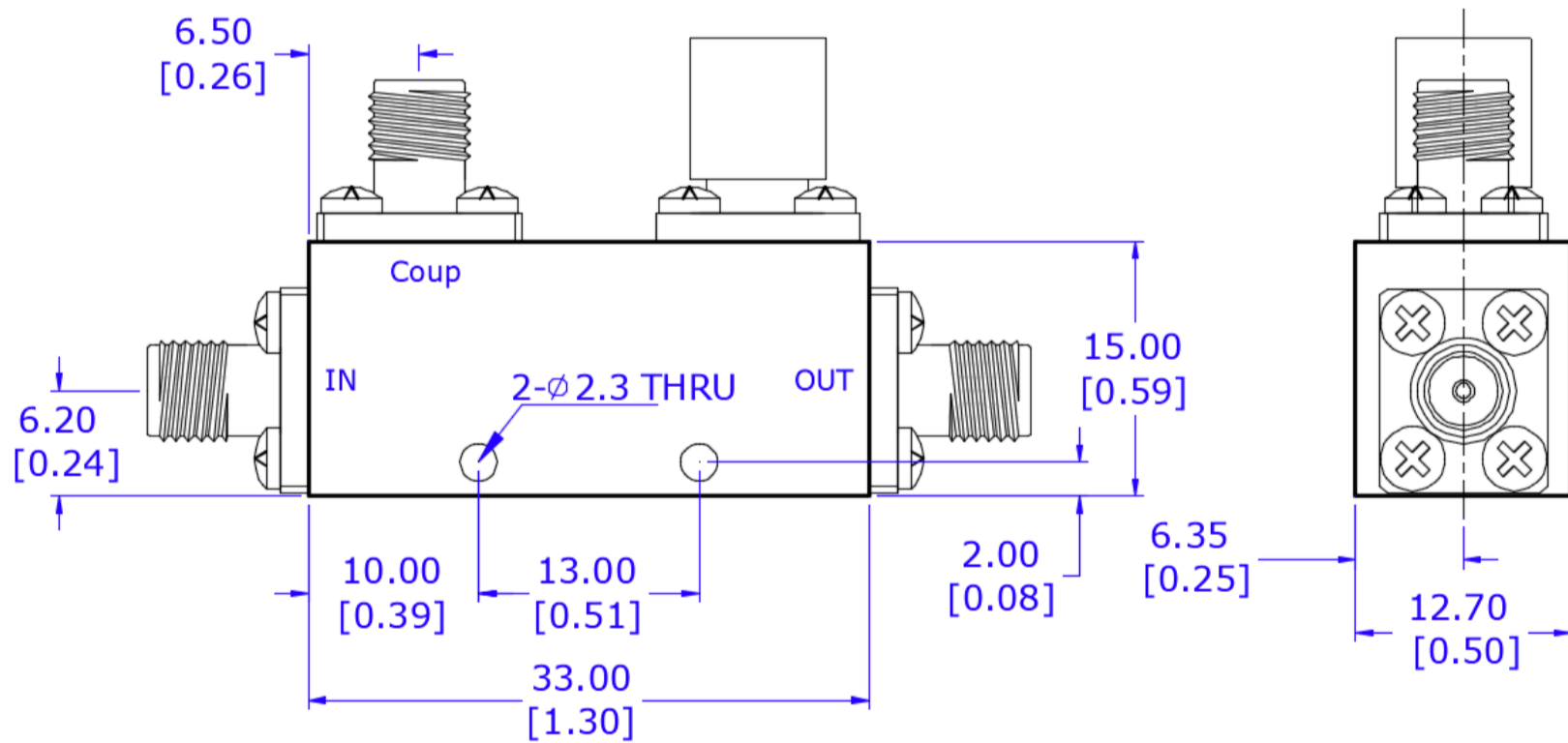
Mechanical Specifications

| | |
|-------------------|----------------------------|
| Dimension L*W*H | 33*15*12.7 mm |
| Input Connector | SMA-Female Stainless Steel |
| Output Connectors | SMA-Female Stainless Steel |
| Weight | TBD g |
| Finishing | Paint Black |
| Environment | Nominal |

Compliance Certifications

| | |
|-----------------|---|
| RoHS Compliant | ✓ |
| REACH Compliant | ✓ |

CAD Drawing



Dimensions are in mm [Inches]
 Tolerances : Outline drawing: ±0.2 [0.008]
 Hole: ±0.2 [0.008]