

Features

- Nominal Coupling 20dB
- Low Coupling Balance ± 1.0 dB
- Low Insertion Loss 1.5dB
- RoHS and REACH Compliant
- High Directivity 12dB

Electrical Specifications

Description	Units	Minimum	Typical	Maximum
Freq. Range	GHz	1		26.5
Nominal Coupling	dB		20	
Coupling Balance	dB		± 1.0	
Insertion Loss (True)	dB			1.5
Freq. Flatness	dB			2.0
Main Line VSWR				1.6
Secondary Line VSWR				1.6
Directivity	dB	12		
Input Power (CW)	W			20
Input Power (Peak)	KW			0.5
Impedance	Ohms		50	
Operating Temp.	°C	-40		+70

Special Requirements

Note

- Electronic Specification Note : Values at 25deg , sea level. Test indicators will deteriorate at high and low temperature ;
- Insertion Loss Including Nominal Coupling Loss 0.04 dB. ;
- Relative Humidity 5 to 95% ;

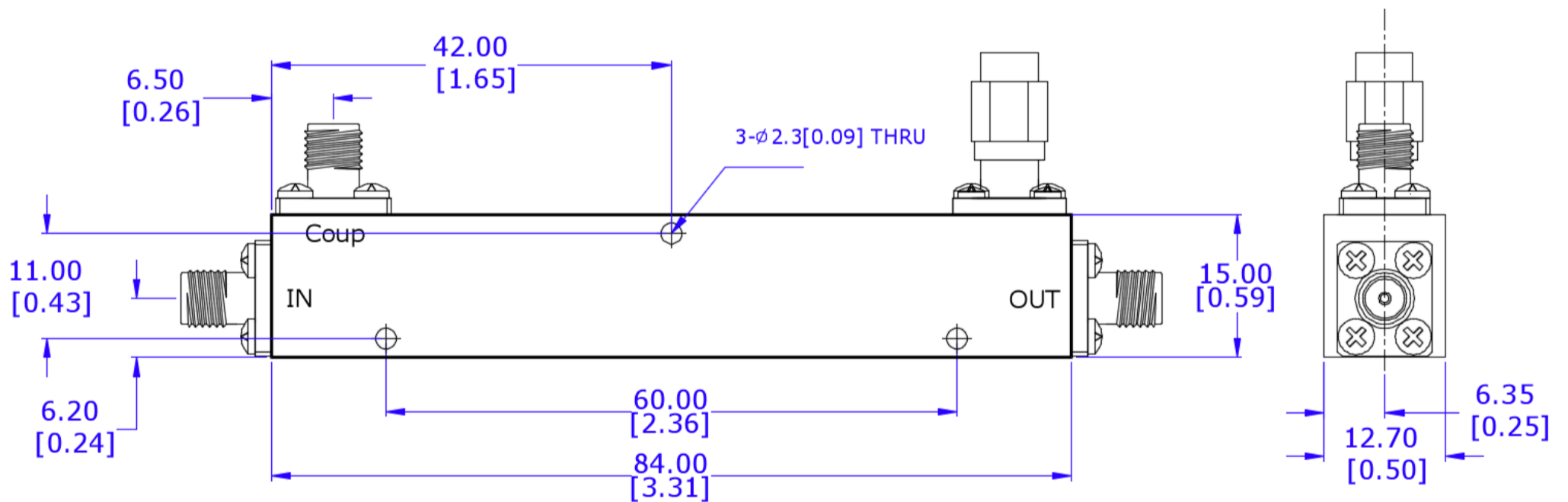
Mechanical Specifications

Dimension L*W*H	84*15*12.7 mm
Input Connector	SMA-Female Stainless Steel
Output Connectors	SMA-Female Stainless Steel
Weight	TBD g
Finishing	Paint Black
Environment	Nominal

Compliance Certifications

RoHS Compliant	✓
REACH Compliant	✓

CAD Drawing



Dimensions are in mm [Inches]
 Tolerances : Outline drawing: ±0.2 [0.008]
 Hole: ±0.2 [0.008]

Input Port VSWR

Thru-Port VSWR

Coupling-Port VSWR

Main Line Insertion Loss

Coupling

Directivity