

Features

- Nominal Coupling 13dB
- Low Coupling Balance ± 1 dB
- Low Insertion Loss 3dB
- RoHS and REACH Compliant
- High Directivity 10dB

Electrical Specifications

Description	Units	Minimum	Typical	Maximum
Freq. Range	GHz	1		40
Nominal Coupling	dB		13	
Coupling Balance	dB		± 1	
Insertion Loss (True)	dB			3
Freq. Flatness	dB			2.0
Main Line VSWR				1.7
Secondary Line VSWR				1.7
Directivity	dB	10		
Input Power (CW)	W			20
Input Power (Peak)	KW			0.5
Impedance	Ohms		50	
Operating Temp.	°C	-45		+85

Special Requirements

Note

- Electronic Specification Note : Values at 25deg , sea level. Test indicators will deteriorate at high and low temperature ;
- Insertion Loss Including Nominal Coupling Loss 0.22 dB. ;
- Relative Humidity 5 to 95% ;

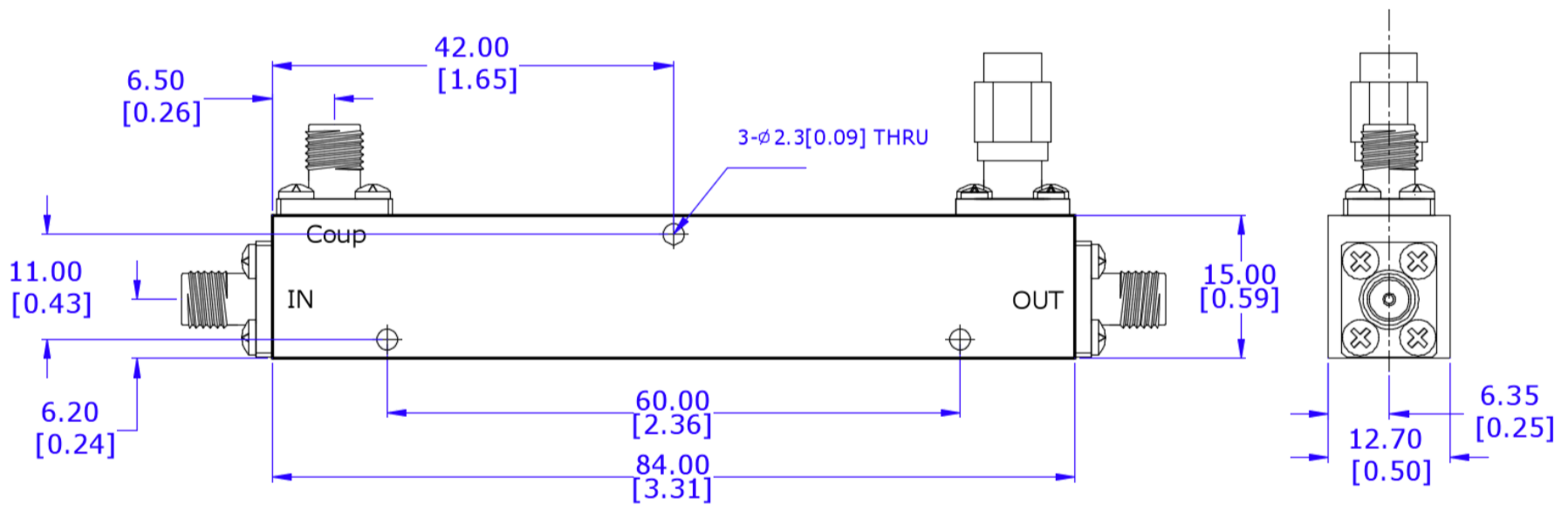
Mechanical Specifications

Dimension L*W*H	84*15*12.7 mm
Input Connector	2.92mm-Female Stainless Steel
Output Connectors	2.92mm-Female Stainless Steel
Weight	60 g
Finishing	Paint Black
Environment	Nominal

Compliance Certifications

RoHS Compliant	✓
REACH Compliant	✓

CAD Drawing



Dimensions are in mm [Inches]
Tolerances : Outline drawing: ±0.2 [0.008]
Hole: ±0.2 [0.008]