

## Features

- Nominal Coupling 10dB
- Low Coupling Balance  $\pm 1$ dB
- Low Insertion Loss 1.55dB
- RoHS and REACH Compliant
- High Directivity 12dB

## Electrical Specifications

Description	Units	Minimum	Typical	Maximum
Freq. Range	GHz	34.5		37
Nominal Coupling	dB		10	
Coupling Balance	dB		$\pm 1$	
Insertion Loss (True)	dB			1.55
Freq. Flatness	dB			2.0
Main Line VSWR				1.6
Secondary Line VSWR				1.6
Directivity	dB	12	15	
Input Power (CW)	W			50
Input Power (Peak)	KW			0.5
Impedance	Ohms		50	
Operating Temp.	$^{\circ}$ C	-45		+85

## Special Requirements

## Note

- Electronic Specification Note : Values at 25deg , sea level. Test indicators will deteriorate at high and low temperature ;
- Insertion Loss Including Nominal Coupling Loss 0.46 dB. ;
- Relative Humidity 5 to 95% ;

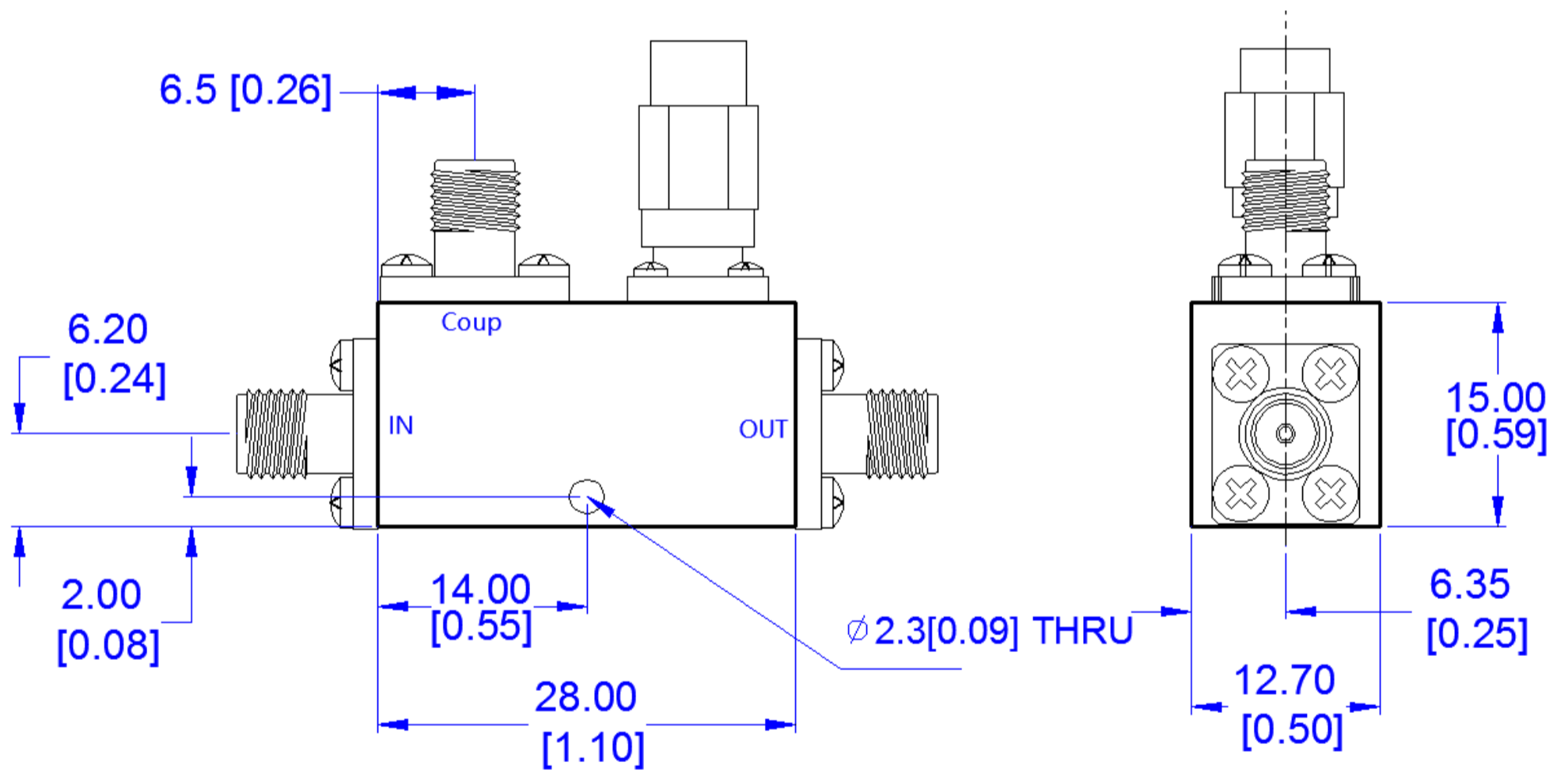
## Mechanical Specifications

Dimension L*W*H	28*15*12.7 mm
Input Connector	2.92mm-Female Stainless Steel
Output Connectors	2.92mm-Female Stainless Steel
Weight	30 g
Finishing	Paint Black
Environment	Nominal

## Compliance Certifications

RoHS Compliant	✓
REACH Compliant	✓

## CAD Drawing



Dimensions are in mm [Inches]  
 Tolerances : Outline drawing:  $\pm 0.2$  [0.008]  
 Hole:  $\pm 0.2$  [0.008]